

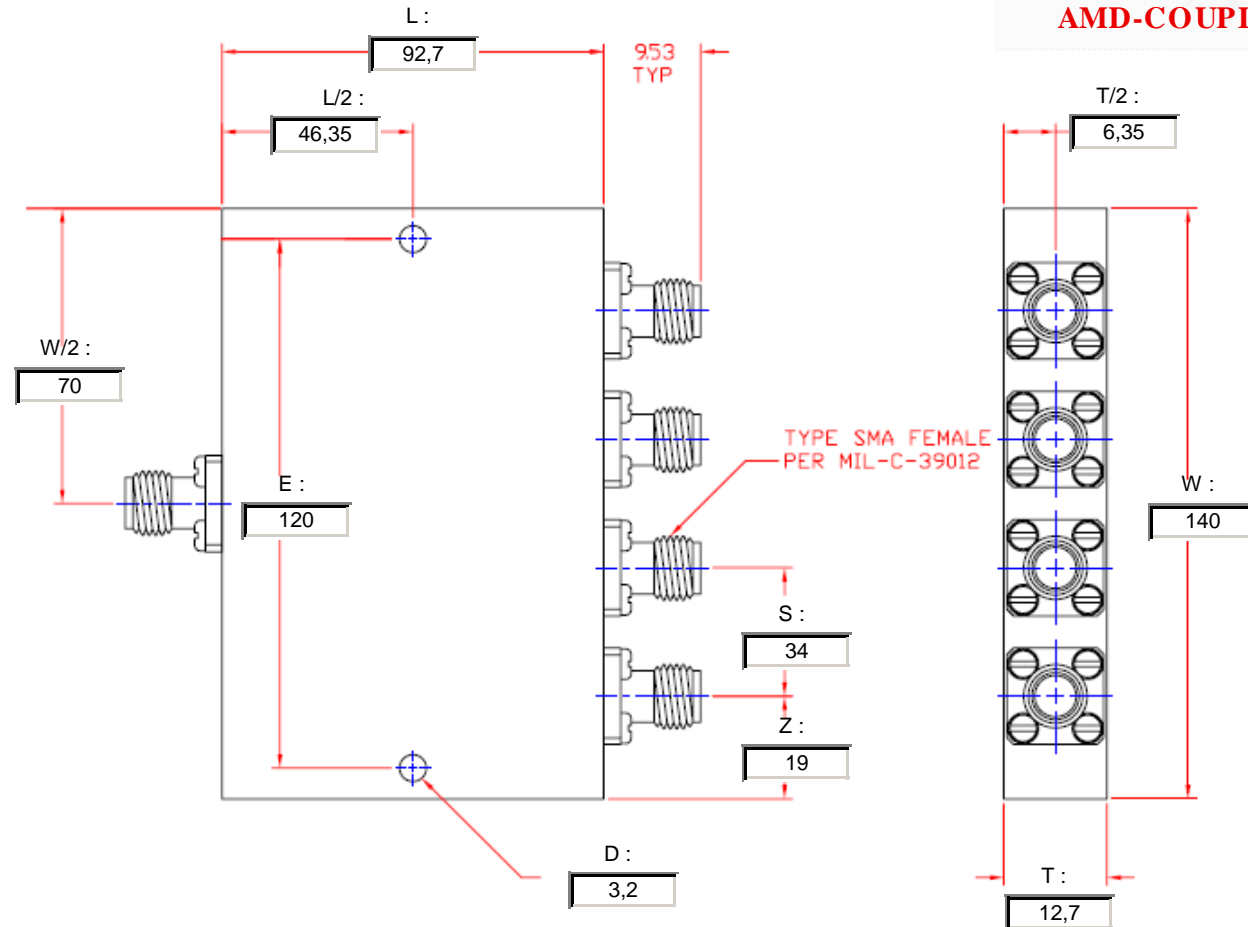
TECHNICAL SPECIFICATION

FOUR WAYS POWER DIVIDER : 0.47 - 0.87 GHz

PART NUMBER : PD4-0.47-0.87-30



ELECTRICAL SPECIFICATIONS	
Freq Range [GHz min]:	0.47
Freq Range [GHz max]:	0.87
Isolation [dB min.]:	22
VSWR Input [max.]:	1.45:1
VSWR Output [max.]:	1.30:1
Insertion Loss[dB max.]:	0.9
Amplitude bal [+dB max]:	0.3
Phase Bal [+° max]:	5.0
Average power [1.2:1]:	30@1.2:1
Average power [2.0:1]:	20@2:1
Average power [30.0:1]:	3@∞



This Drawing contains paterntable and propriatary information. The design cannot be used without written permission of AMD-GROUP
 AMD-GROUP SARL, Rue des Plantes, 37310 COURCAY (FRANCE), Phone : + 33 (0)8 72 74 80 59, Fax:+33 (0) 2.47.94.14.21, www.amd-group.fr

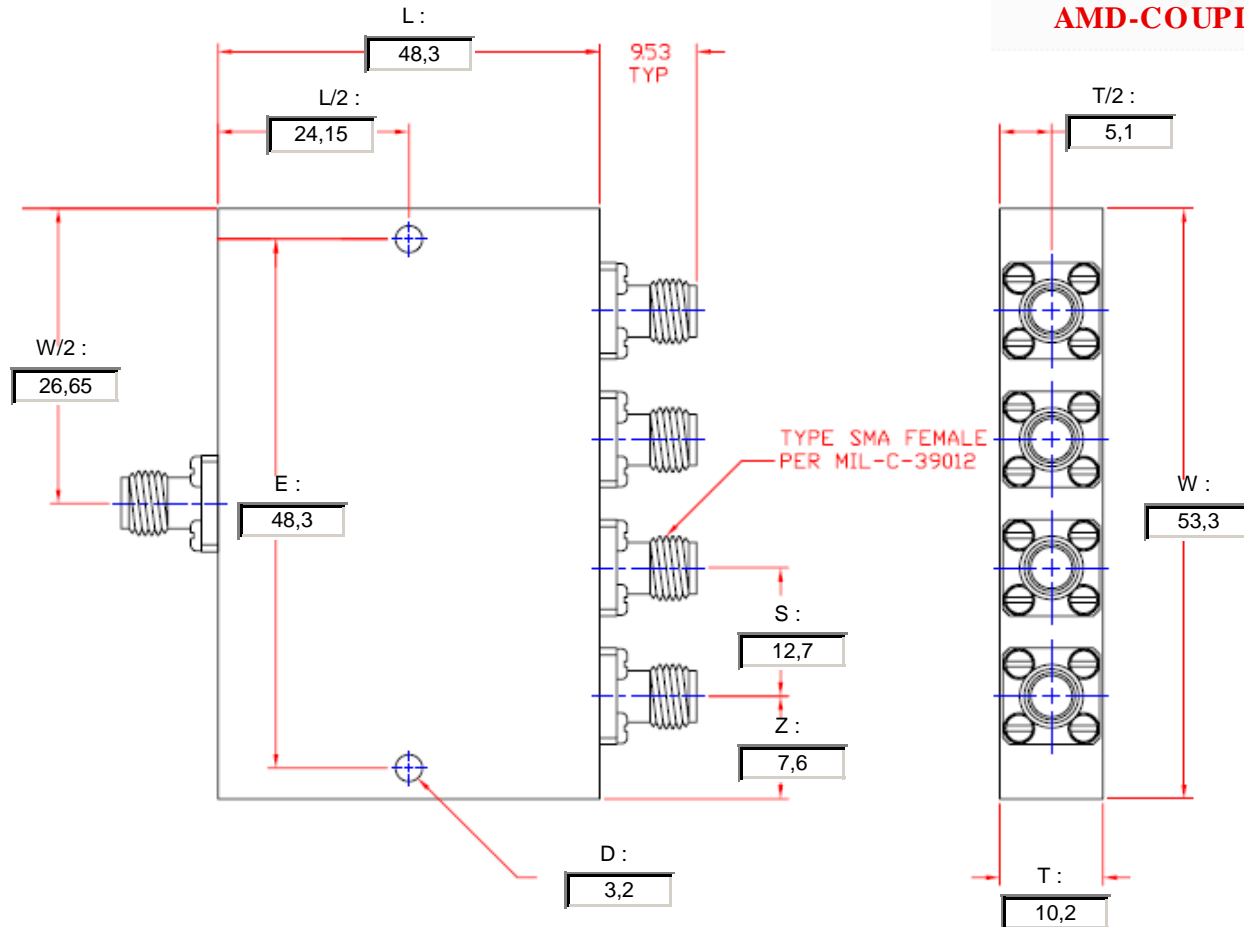
TECHNICAL SPECIFICATION

FOUR WAYS POWER DIVIDER : 0.88 - 0.96 GHz

PART NUMBER : PD4-0.88-0.96-100



ELECTRICAL SPECIFICATIONS	
Freq Range [GHz min]:	0.88
Freq Range [GHz max]:	0.96
Isolation [dB min.]:	20
VSWR Input [max.]:	1.40:1
VSWR Output [max.]:	1.30:1
Insertion Loss[dB max.]:	0.7
Amplitude bal [+dB max]:	0.4
Phase Bal [+° max]:	10.0
Average power [1.2:1]:	100@1.2:1
Average power [2.0:1]:	20@2:1
Average power [30.0:1]:	3@∞

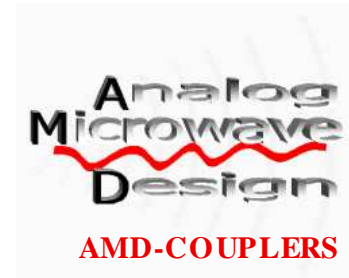


This Drawing contains patentable and proprietary information. The design cannot be used without written permission of AMD-GROUP
 AMD-GROUP SARL, Rue des Plantes, 37310 COURCAY (FRANCE), Phone : + 33 (0)8 72 74 80 59, Fax:+33 (0) 2.47.94.14.21, www.amd-group.fr

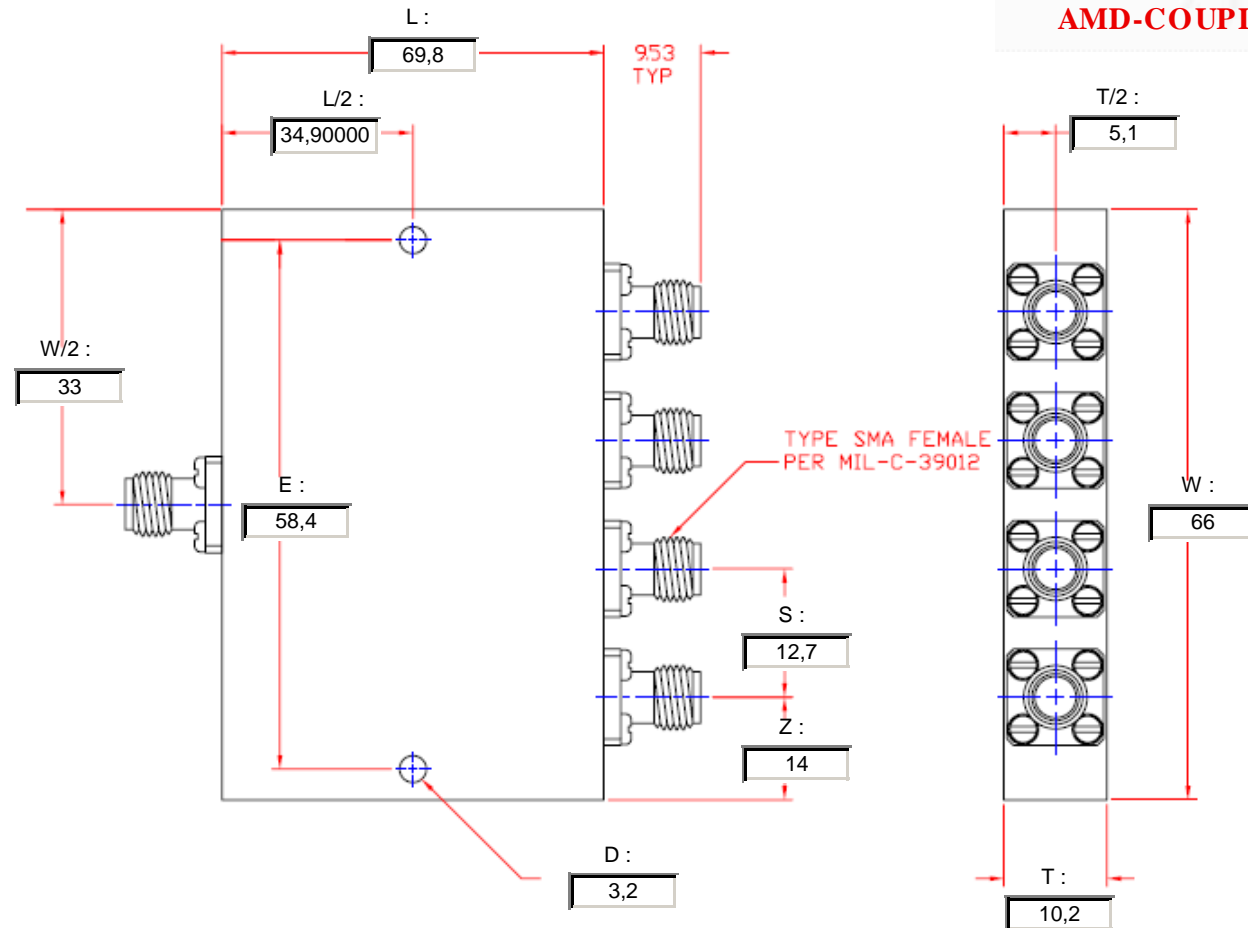
TECHNICAL SPECIFICATION

FOUR WAYS POWER DIVIDER : 0.5 - 1.0 GHz

PART NUMBER : PD4-0.5-1-30



ELECTRICAL SPECIFICATIONS	
Freq Range [GHz min]:	0.5
Freq Range [GHz max]:	1.0
Isolation [dB min.]:	22
VSWR Input [max.]:	1.45:1
VSWR Output [max.]:	1.30:1
Insertion Loss[dB max.]:	0.9
Amplitude bal [+dB max]:	0.3
Phase Bal [+° max]:	5.0
Average power [1.2:1]:	30@1.2:1
Average power [2.0:1]:	20@2:1
Average power [30.0:1]:	3@∞



This Drawing contains patentable and proprietary information. The design cannot be used without written permission of AMD-GROUP
 AMD-GROUP SARL, Rue des Plantes, 37310 COURCAY (FRANCE), Phone : + 33 (0)8 72 74 80 59, Fax:+33 (0) 2.47.94.14.21, www.amd-group.fr

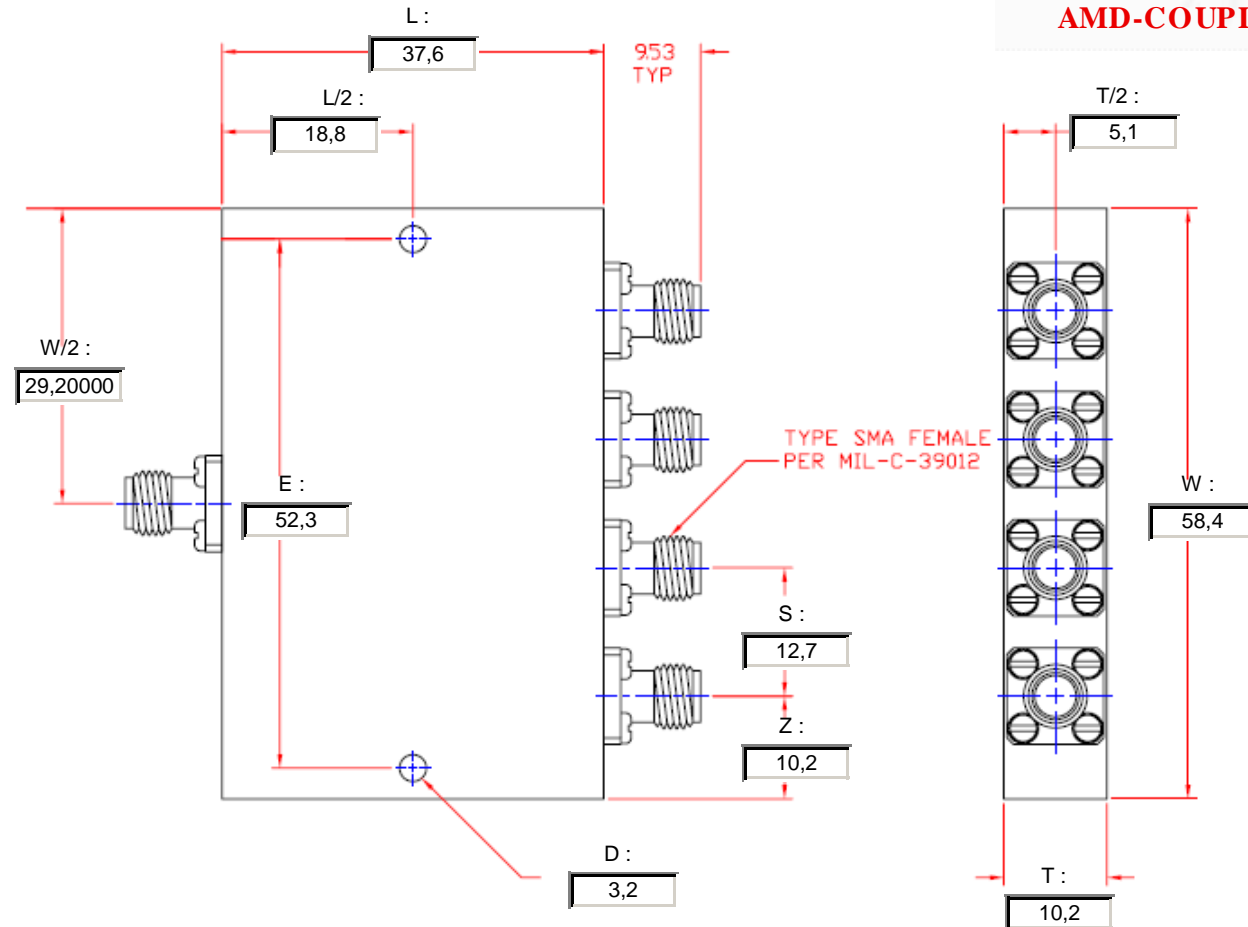
TECHNICAL SPECIFICATION

FOUR WAYS POWER DIVIDER : 1.0 - 2.0 GHz

PART NUMBER : PD4-1-2-30



ELECTRICAL SPECIFICATIONS	
Freq Range [GHz min]:	1.0
Freq Range [GHz max]:	2.0
Isolation [dB min.]:	20
VSWR Input [max.]:	1.40:1/
VSWR Output [max.]:	1.15:1
Insertion Loss[dB max.]:	0.8
Amplitude bal [+dB max]:	0.3
Phase Bal [+° max]:	5.0
Average power [1.2:1]:	30@1.2:1
Average power [2.0:1]:	20@2:1
Average power [30.0:1]:	3@∞



This Drawing contains patentable and proprietary information. The design cannot be used without written permission of AMD-GROUP
 AMD-GROUP SARL, Rue des Plantes, 37310 COURCAY (FRANCE), Phone : + 33 (0)8 72 74 80 59, Fax:+33 (0) 2.47.94.14.21, www.amd-group.fr

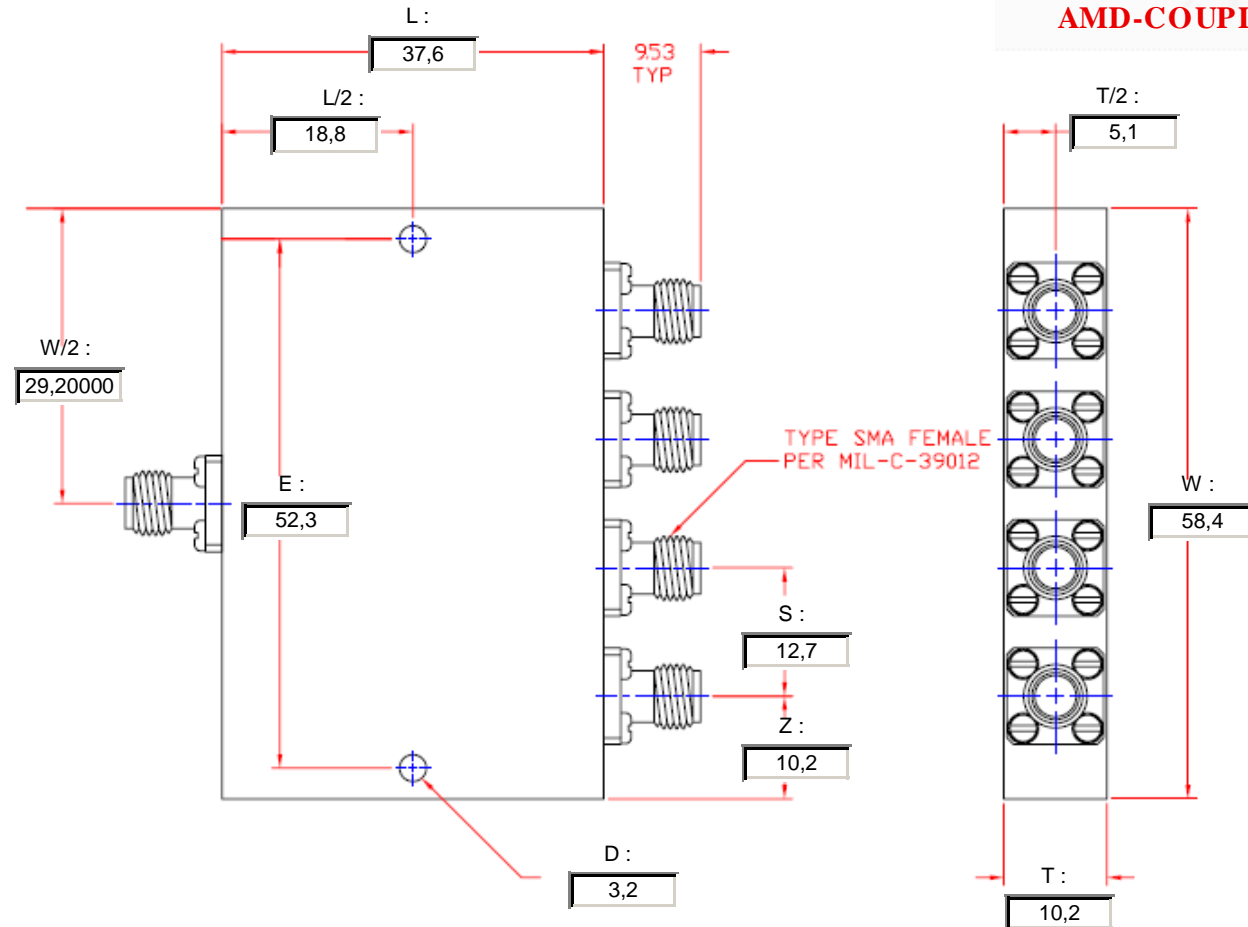
TECHNICAL SPECIFICATION

FOUR WAYS POWER DIVIDER : 2.0 - 4.0 GHz

PART NUMBER : PD4-2-4-30



ELECTRICAL SPECIFICATIONS	
Freq Range [GHz min]:	2.0
Freq Range [GHz max]:	4.0
Isolation [dB min.]:	20
VSWR Input [max.]:	1.35:1
VSWR Output [max.]:	1.35:1
Insertion Loss[dB max.]:	0.6
Amplitude bal [+dB max]:	0.3
Phase Bal [+° max]:	6.0
Average power [1.2:1]:	30@1.2:1
Average power [2.0:1]:	20@2:1
Average power [30.0:1]:	3@∞

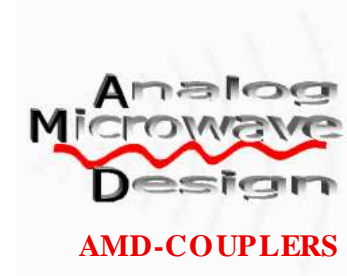


This Drawing contains patentable and proprietary information. The design cannot be used without written permission of AMD-GROUP
 AMD-GROUP SARL, Rue des Plantes, 37310 COURCAY (FRANCE), Phone : + 33 (0)8 72 74 80 59, Fax:+33 (0) 2.47.94.14.21, www.amd-group.fr

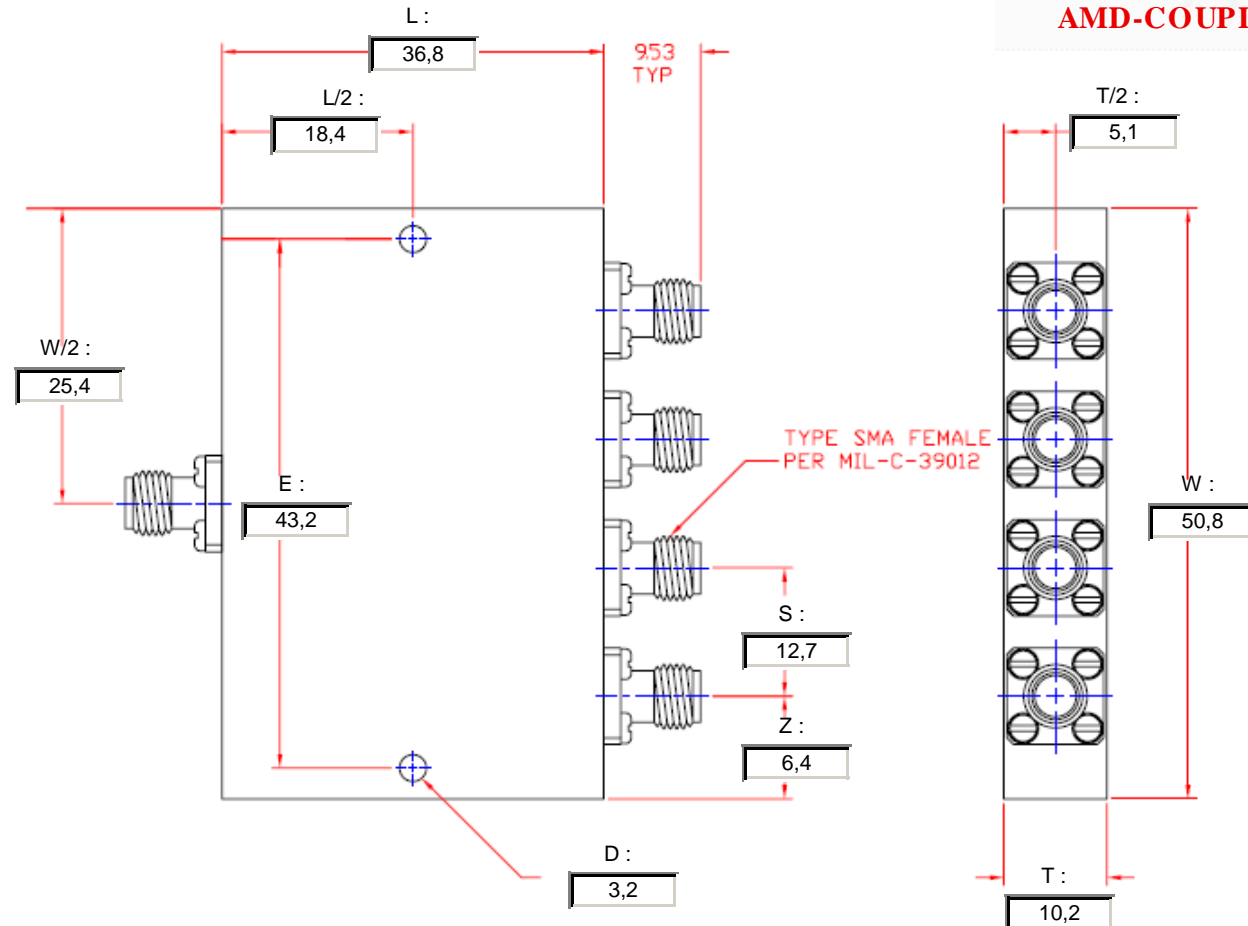
TECHNICAL SPECIFICATION

FOUR WAYS POWER DIVIDER : 3.4 - 4.2 GHz

PART NUMBER : PD4-3.4-4.2-30



ELECTRICAL SPECIFICATIONS	
Freq Range [GHz min]:	3.4
Freq Range [GHz max]:	4.2
Isolation [dB min.]:	22
VSWR Input [max.]:	1.20:1
VSWR Output [max.]:	1.15:1
Insertion Loss[dB max.]:	0.5
Amplitude bal [+dB max]:	0.3
Phase Bal [+° max]:	3.0
Average power [1.2:1]:	30@1.2:1
Average power [2.0:1]:	20@2:1
Average power [30.0:1]:	3@∞



This Drawing contains patentable and proprietary information. The design cannot be used without written permission of AMD-GROUP
 AMD-GROUP SARL, Rue des Plantes, 37310 COURCAY (FRANCE), Phone : + 33 (0)8 72 74 80 59, Fax:+33 (0) 2.47.94.14.21, www.amd-group.fr

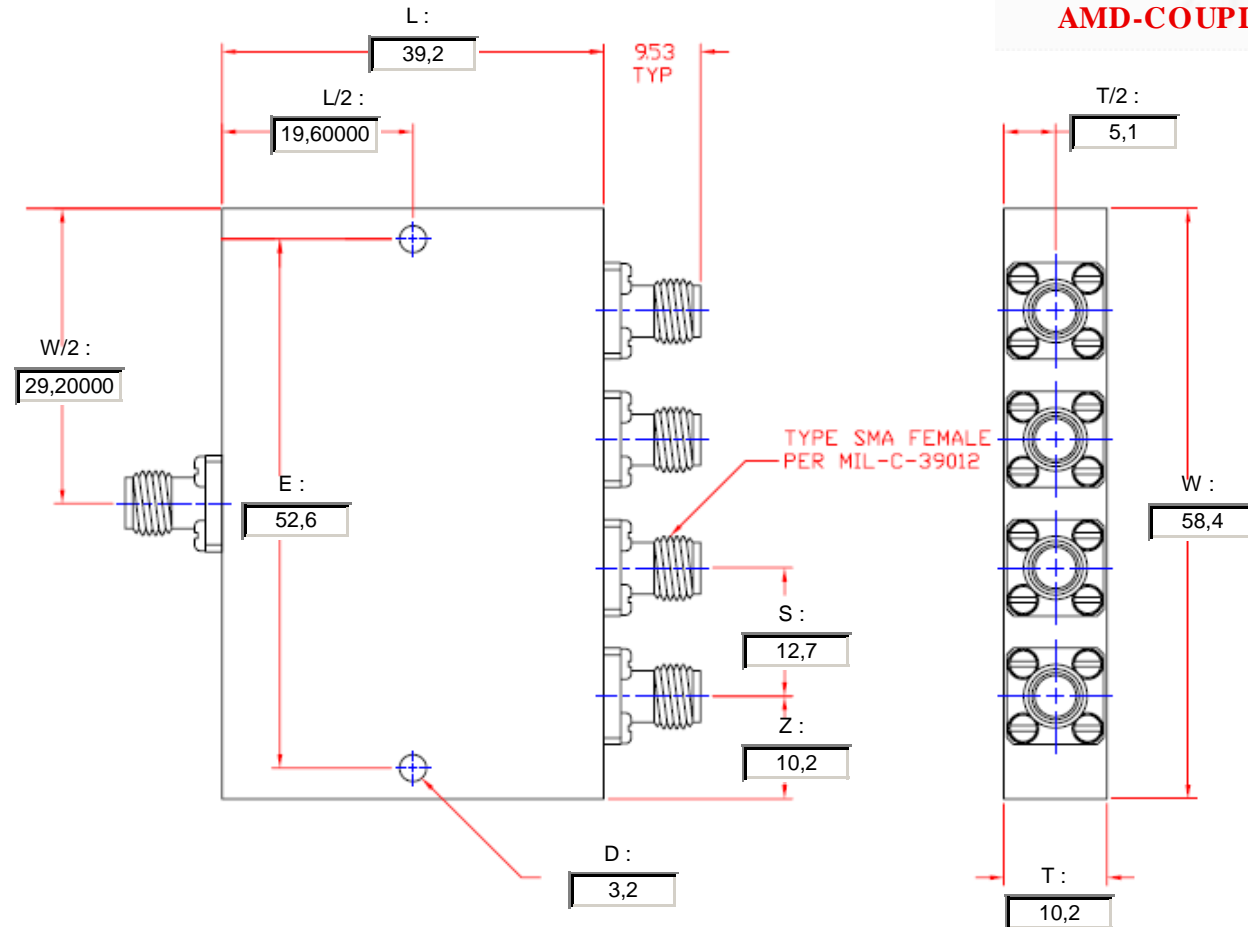
TECHNICAL SPECIFICATION

FOUR WAYS POWER DIVIDER : 4.0 - 8.0 GHz

PART NUMBER : PD4-4-8-30



ELECTRICAL SPECIFICATIONS	
Freq Range [GHz min]:	4.0
Freq Range [GHz max]:	8.0
Isolation [dB min.]:	20
VSWR Input [max.]:	1.45:1
VSWR Output [max.]:	1.35:1
Insertion Loss[dB max.]:	0.5
Amplitude bal [+dB max]:	0.3
Phase Bal [+° max]:	6.0
Average power [1.2:1]:	30@1.2:1
Average power [2.0:1]:	20@2:1
Average power [30.0:1]:	3@∞



*This Drawing contains paterntable and propriatary information. The design cannot be used without written permission of AMD-GROUP
 AMD-GROUP SARL, Rue des Plantes, 37310 COURCAY (FRANCE), Phone : + 33 (0)8 72 74 80 59, Fax:+33 (0) 2.47.94.14.21, www.amd-group.fr*

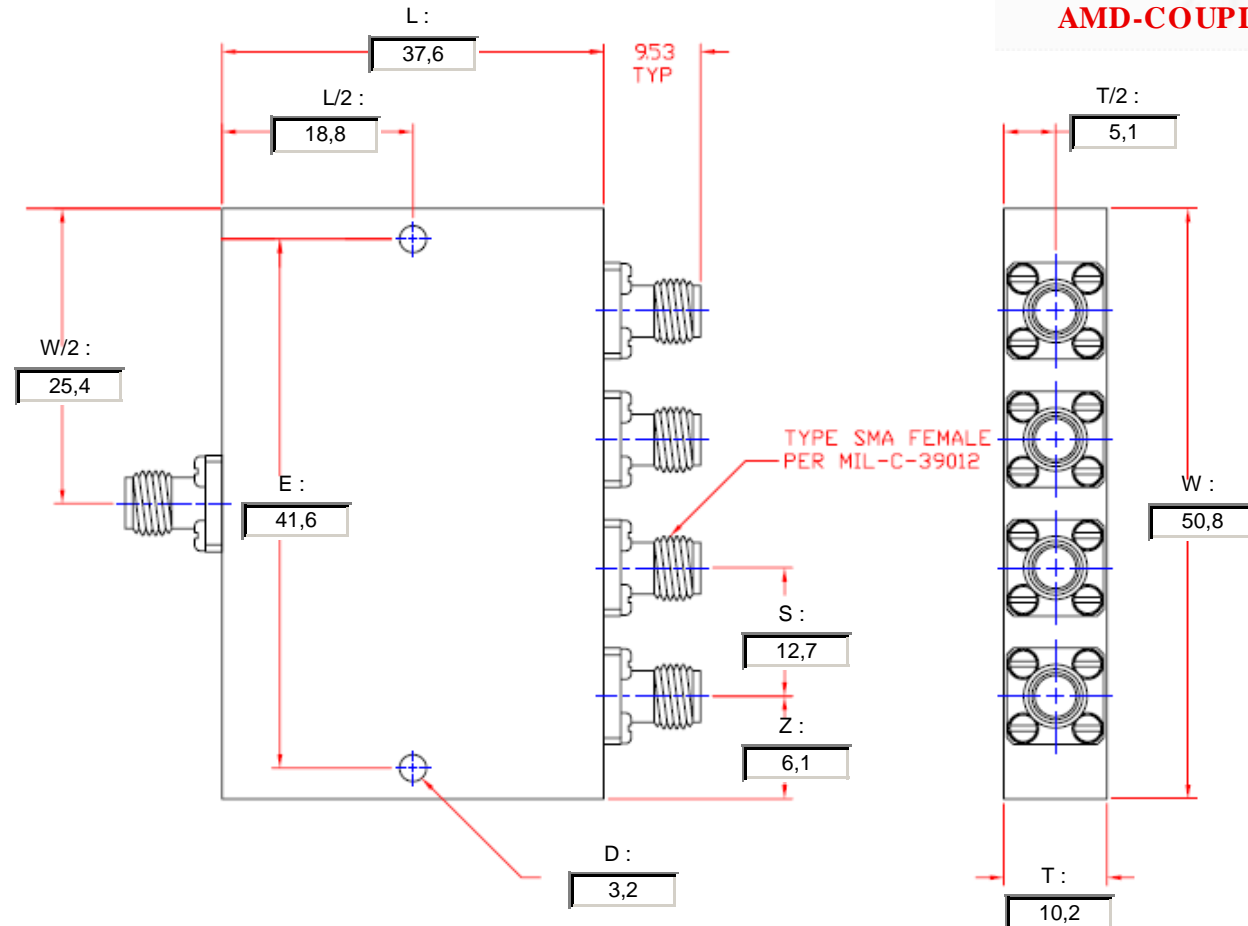
TECHNICAL SPECIFICATION

FOUR WAYS POWER DIVIDER : 7.0 - 12.4 GHz

PART NUMBER : PD4-7-12.4-30



ELECTRICAL SPECIFICATIONS	
Freq Range [GHz min]:	7.0
Freq Range [GHz max]:	12.4
Isolation [dB min.]:	16
VSWR Input [max.]:	1.70:1
VSWR Output [max.]:	1.70:1
Insertion Loss[dB max.]:	1
Amplitude bal [+dB max]:	0.8
Phase Bal [+° max]:	10.0
Average power [1.2:1]:	10@1.2:1
Average power [2.0:1]:	20@2:1
Average power [30.0:1]:	3@∞



This Drawing contains paterntable and propriatary information. The design cannot be used without written permission of AMD-GROUP
 AMD-GROUP SARL, Rue des Plantes, 37310 COURCAY (FRANCE), Phone : + 33 (0)8 72 74 80 59, Fax:+33 (0) 2.47.94.14.21, www.amd-group.fr

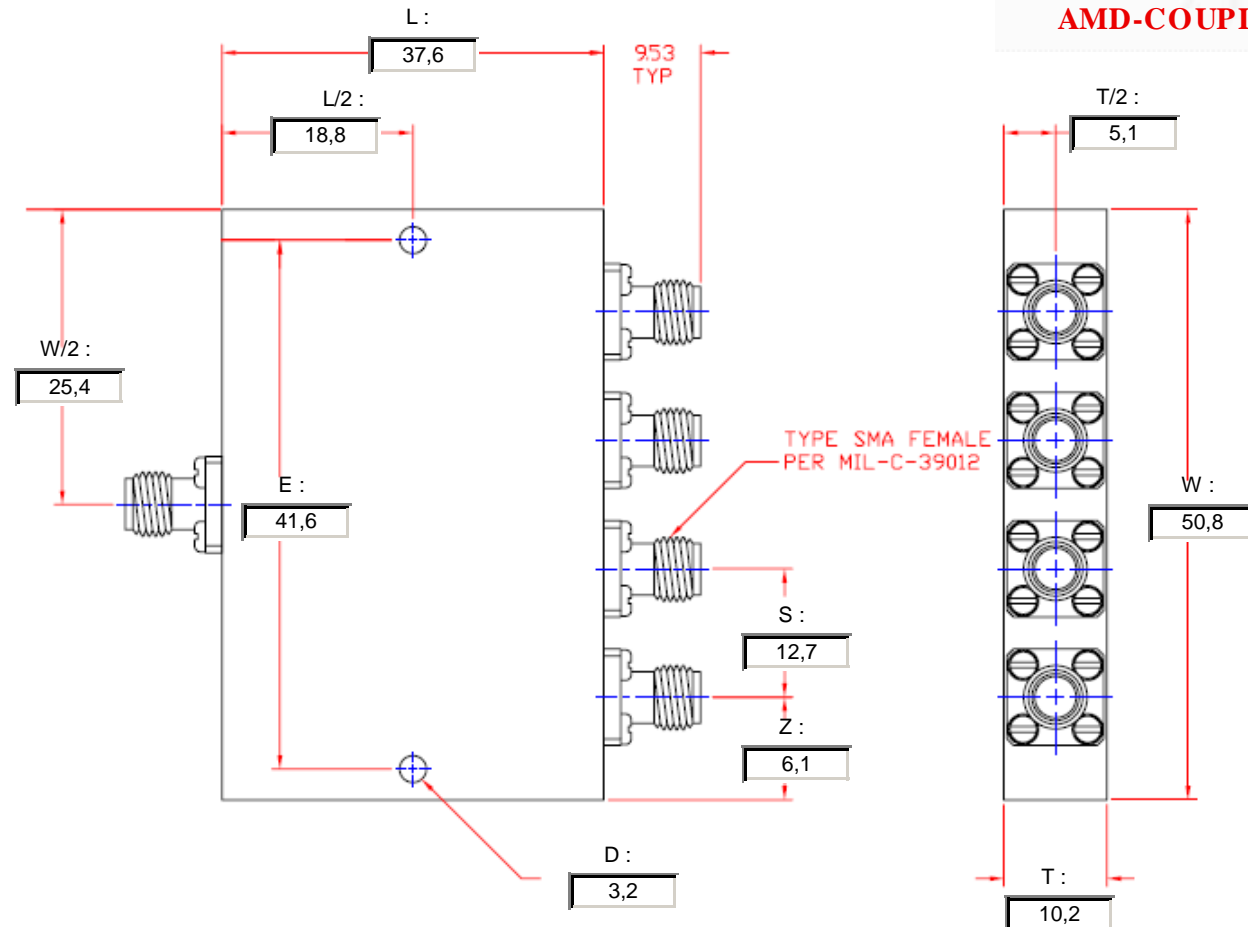
TECHNICAL SPECIFICATION

FOUR WAYS POWER DIVIDER : 8.0 - 12.4 GHz

PART NUMBER : PD4-8-12.4-30



ELECTRICAL SPECIFICATIONS	
Freq Range [GHz min]:	8.0
Freq Range [GHz max]:	12.4
Isolation [dB min.]:	18
VSWR Input [max.]:	1.45:1
VSWR Output [max.]:	1.35:1
Insertion Loss[dB max.]:	0.8
Amplitude bal [+dB max]:	0.4
Phase Bal [+° max]:	6.0
Average power [1.2:1]:	30@1.2:1
Average power [2.0:1]:	20@2:1
Average power [30.0:1]:	3@∞



This Drawing contains patentable and proprietary information. The design cannot be used without written permission of AMD-GROUP
 AMD-GROUP SARL, Rue des Plantes, 37310 COURCAY (FRANCE), Phone : + 33 (0)8 72 74 80 59, Fax:+33 (0) 2.47.94.14.21, www.amd-group.fr

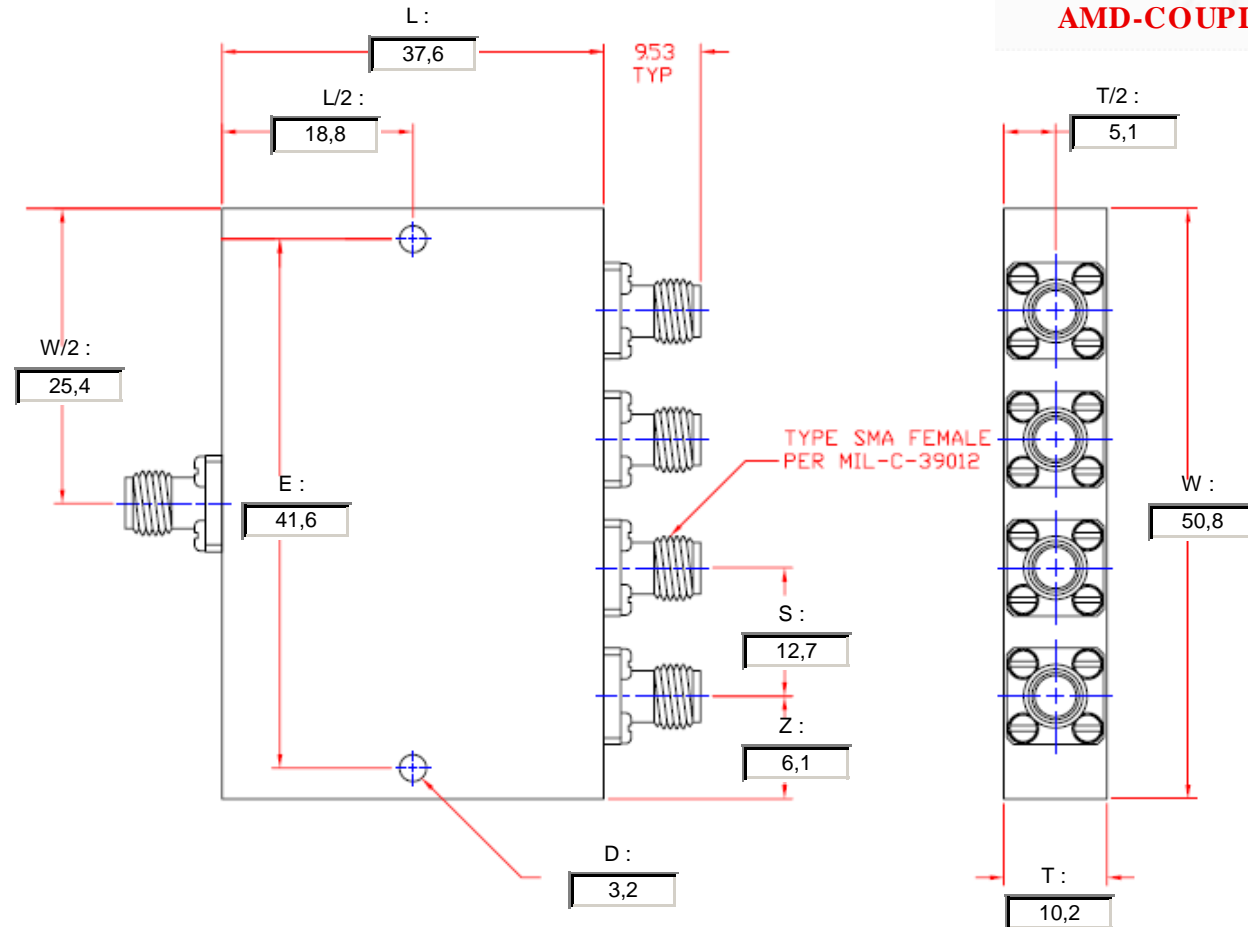
TECHNICAL SPECIFICATION

FOUR WAYS POWER DIVIDER : 12.0 - 18.0 GHz

PART NUMBER : PD4-12-18-30



ELECTRICAL SPECIFICATIONS	
Freq Range [GHz min]:	12.0
Freq Range [GHz max]:	18.0
Isolation [dB min.]:	18
VSWR Input [max.]:	1.50:1
VSWR Output [max.]:	1.40:1
Insertion Loss[dB max.]:	1.5
Amplitude bal [+dB max]:	0.5
Phase Bal [+° max]:	6.0
Average power [1.2:1]:	30@1.2:1
Average power [2.0:1]:	20@2:1
Average power [30.0:1]:	3@∞

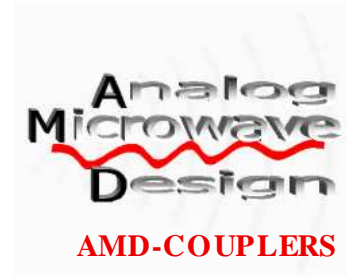


*This Drawing contains patentable and proprietary information. The design cannot be used without written permission of AMD-GROUP
 AMD-GROUP SARL, Rue des Plantes, 37310 COURCAY (FRANCE), Phone : + 33 (0)8 72 74 80 59, Fax:+33 (0) 2.47.94.14.21, www.amd-group.fr*

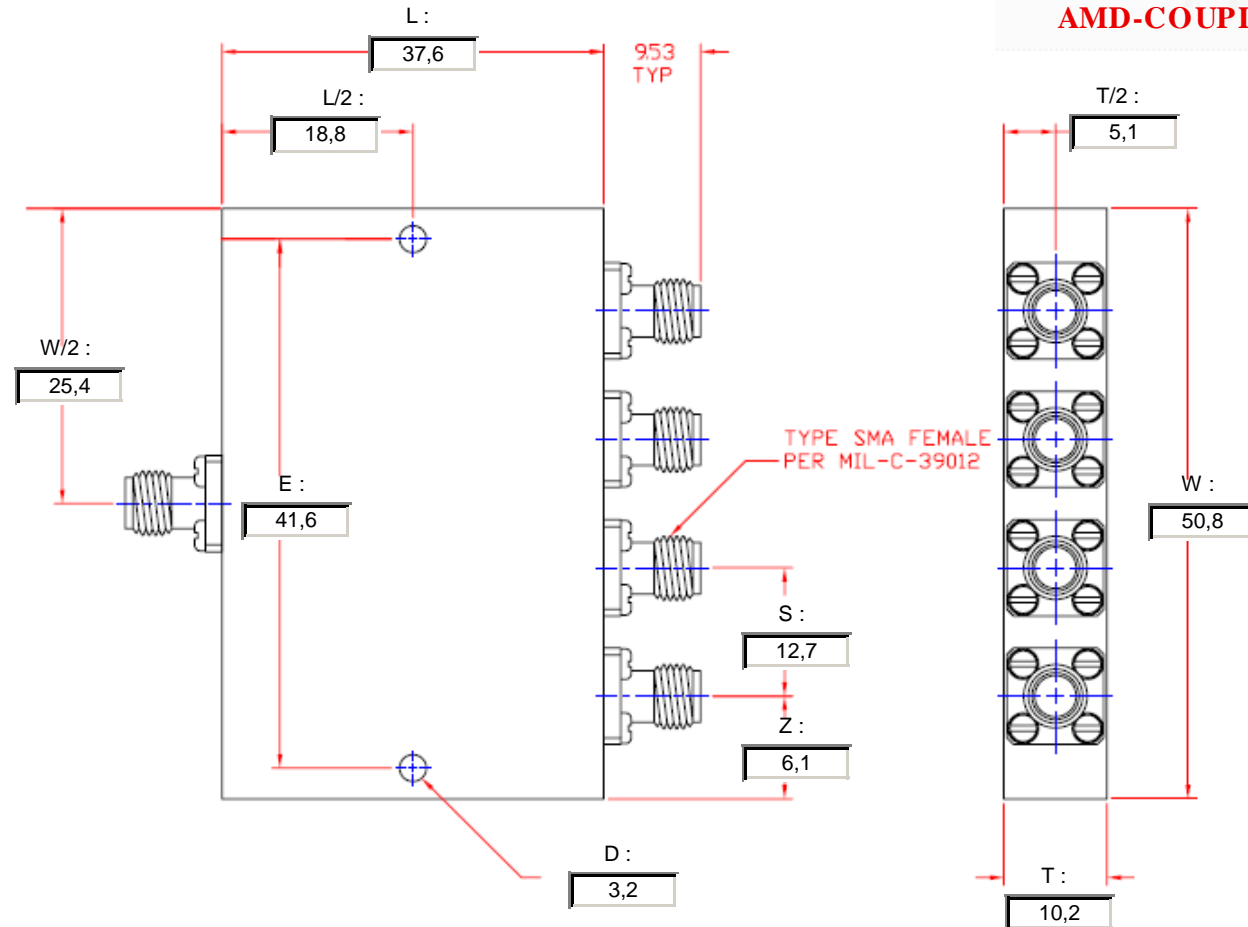
TECHNICAL SPECIFICATION

FOUR WAYS POWER DIVIDER : 8.0 - 18.0 GHz

PART NUMBER : PD4-8-18-30



ELECTRICAL SPECIFICATIONS	
Freq Range [GHz min]:	8.0
Freq Range [GHz max]:	18.0
Isolation [dB min.]:	16
VSWR Input [max.]:	1.60:1
VSWR Output [max.]:	1.50:1
Insertion Loss[dB max.]:	1
Amplitude bal [+dB max]:	0.3
Phase Bal [+° max]:	7.0
Average power [1.2:1]:	30@1.2:1
Average power [2.0:1]:	20@2:1
Average power [30.0:1]:	3@∞



This Drawing contains paterntable and proprietary information. The design cannot be used without written permission of AMD-GROUP
 AMD-GROUP SARL, Rue des Plantes, 37310 COURCAY (FRANCE), Phone : + 33 (0)8 72 74 80 59, Fax:+33 (0) 2.47.94.14.21, www.amd-group.fr

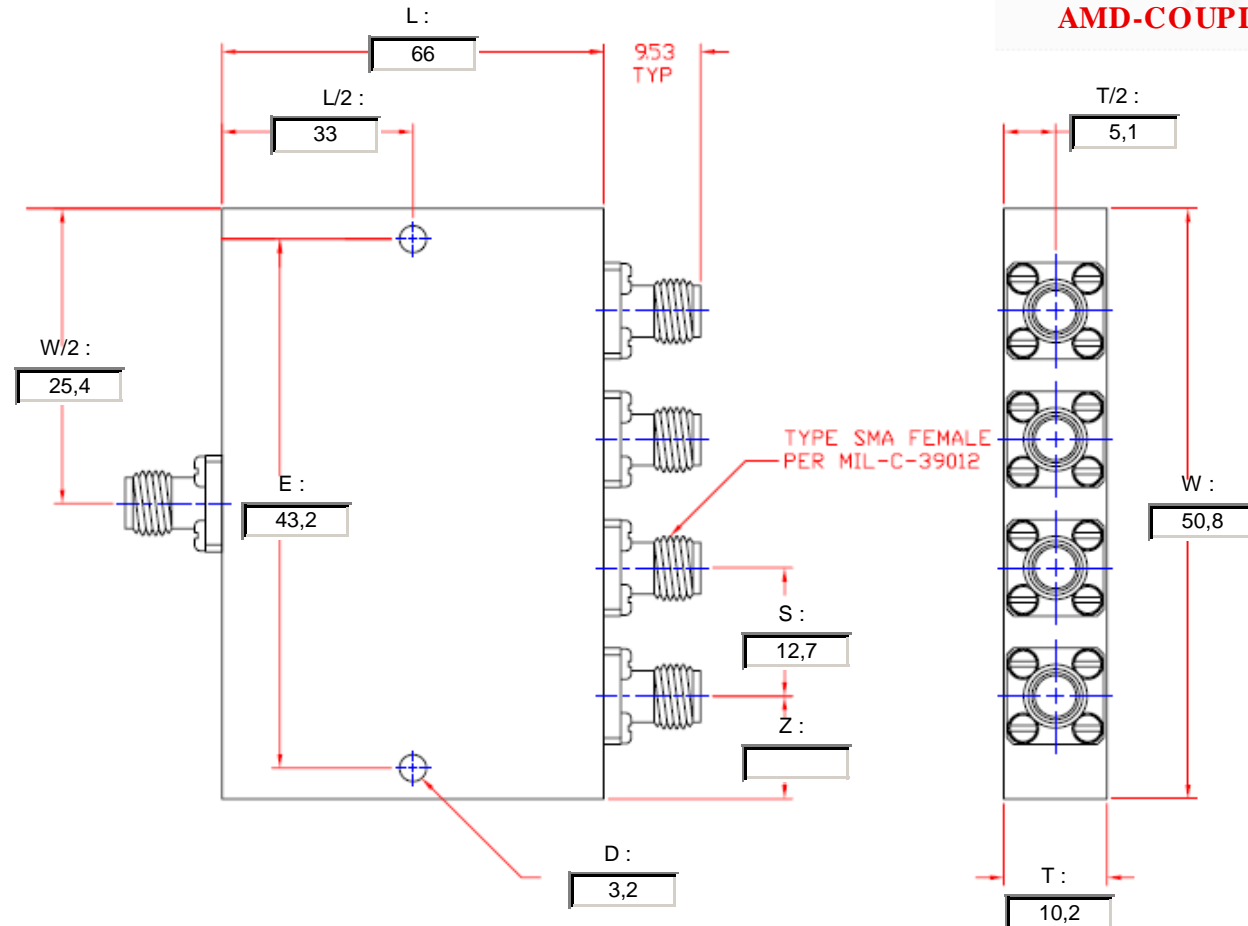
TECHNICAL SPECIFICATION

FOUR WAYS POWER DIVIDER : 1.5 - 3.0 GHz

PART NUMBER : PD4-1.5-3-30



ELECTRICAL SPECIFICATIONS	
Freq Range [GHz min]:	1.5
Freq Range [GHz max]:	3.0
Isolation [dB min.]:	16
VSWR Input [max.]:	1.50:1
VSWR Output [max.]:	1.45:1
Insertion Loss[dB max.]:	0.9
Amplitude bal [+dB max]:	0.2
Phase Bal [+° max]:	5.0
Average power [1.2:1]:	30@1.2:1
Average power [2.0:1]:	20@2:1
Average power [30.0:1]:	3@∞



This Drawing contains patentable and proprietary information. The design cannot be used without written permission of AMD-GROUP
 AMD-GROUP SARL, Rue des Plantes, 37310 COURCAY (FRANCE), Phone : + 33 (0)8 72 74 80 59, Fax:+33 (0) 2.47.94.14.21, www.amd-group.fr

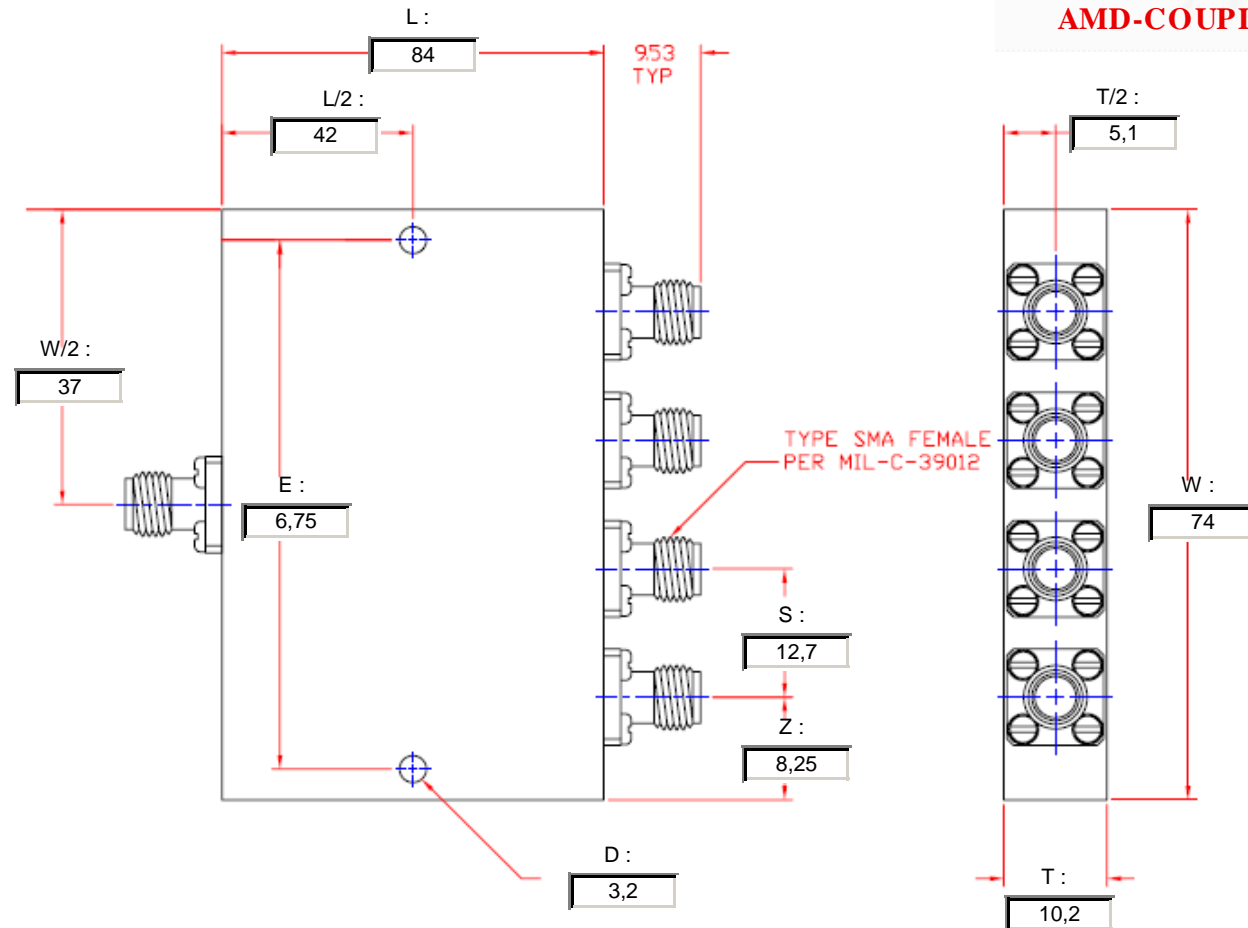
TECHNICAL SPECIFICATION

FOUR WAYS POWER DIVIDER : 0.5 - 2.5 GHz

PART NUMBER : PD4-0.5-2.5-30



ELECTRICAL SPECIFICATIONS	
Freq Range [GHz min]:	0.5
Freq Range [GHz max]:	2.5
Isolation [dB min.]:	20
VSWR Input [max.]:	1.40:1
VSWR Output [max.]:	1.25:1
Insertion Loss[dB max.]:	0.7
Amplitude bal [+dB max]:	0.3
Phase Bal [+° max]:	4.0
Average power [1.2:1]:	30@1.2:1
Average power [2.0:1]:	20@2:1
Average power [30.0:1]:	3@∞



This Drawing contains patentable and proprietary information. The design cannot be used without written permission of AMD-GROUP
 AMD-GROUP SARL, Rue des Plantes, 37310 COURCAY (FRANCE), Phone : + 33 (0)8 72 74 80 59, Fax:+33 (0) 2.47.94.14.21, www.amd-group.fr

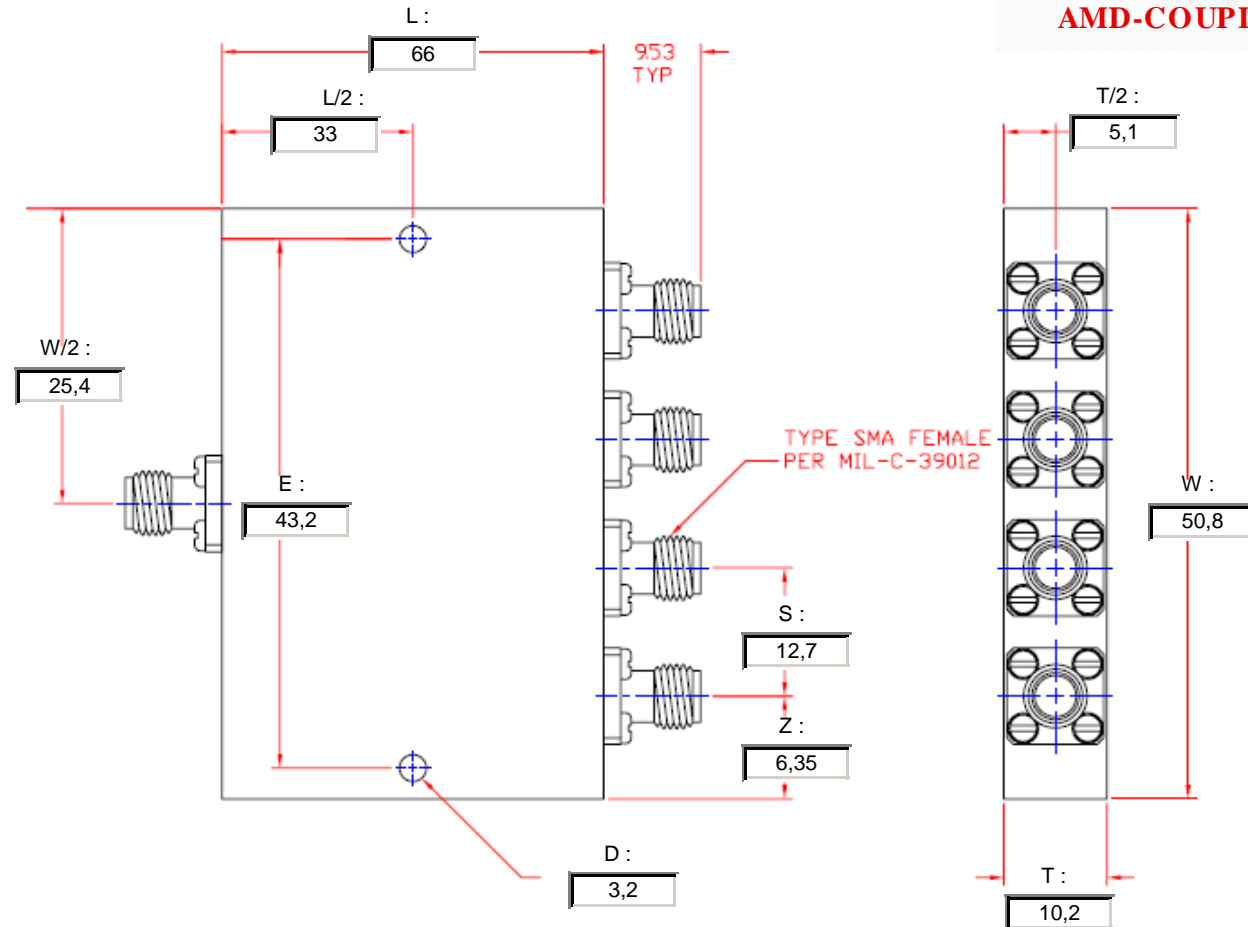
TECHNICAL SPECIFICATION

FOUR WAYS POWER DIVIDER : 1.0 - 3.0 GHz

PART NUMBER : PD4-1-3-30



ELECTRICAL SPECIFICATIONS	
Freq Range [GHz min]:	1.0
Freq Range [GHz max]:	3.0
Isolation [dB min.]:	18
VSWR Input [max.]:	1.45:1
VSWR Output [max.]:	1.35:1
Insertion Loss[dB max.]:	0.9
Amplitude bal [+dB max]:	0.4
Phase Bal [+° max]:	6.0
Average power [1.2:1]:	30@1.2:1
Average power [2.0:1]:	20@2:1
Average power [30.0:1]:	3@∞



This Drawing contains patentable and proprietary information. The design cannot be used without written permission of AMD-GROUP
 AMD-GROUP SARL, Rue des Plantes, 37310 COURCAY (FRANCE), Phone : + 33 (0)8 72 74 80 59, Fax:+33 (0) 2.47.94.14.21, www.amd-group.fr

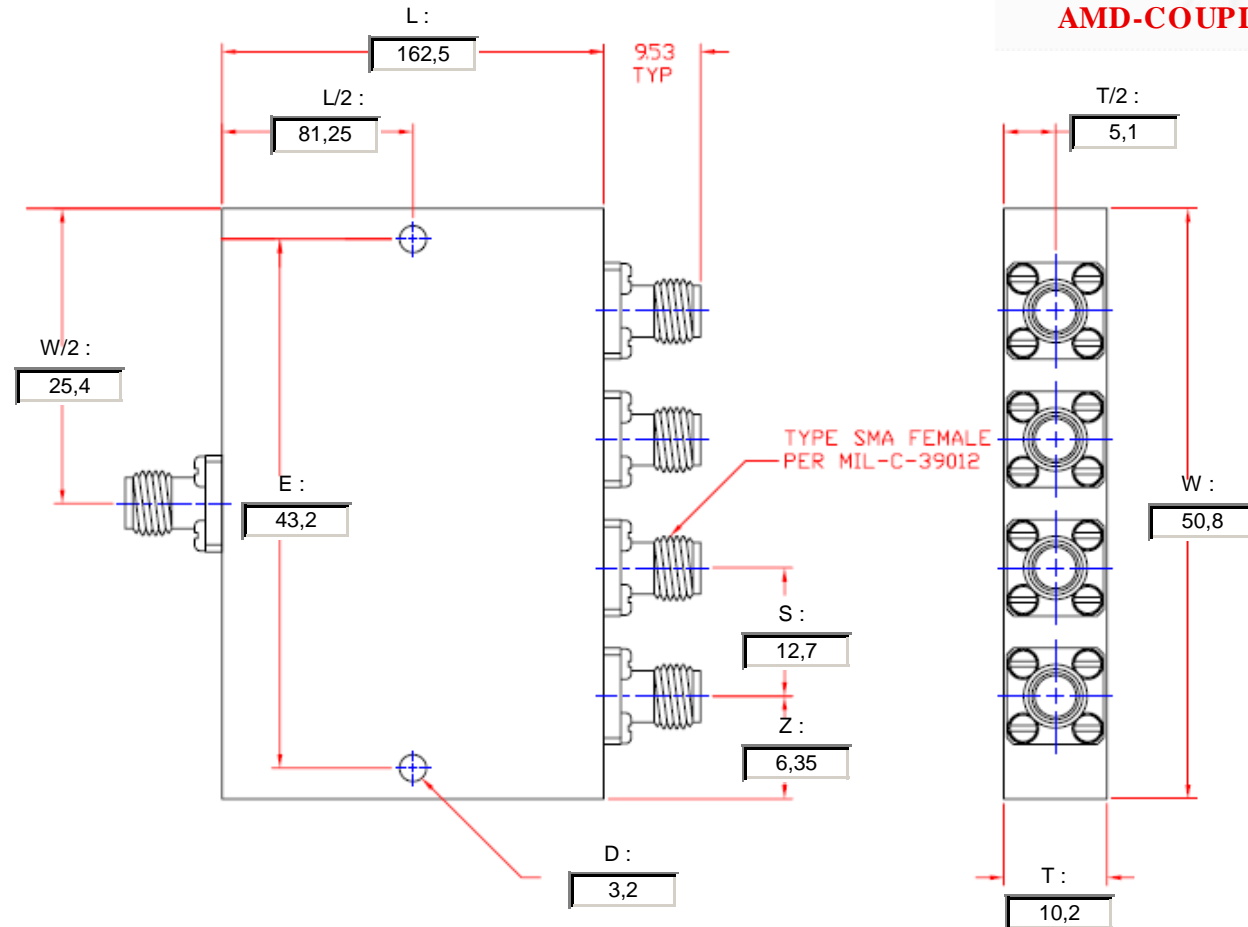
TECHNICAL SPECIFICATION

FOUR WAYS POWER DIVIDER : 1.0 - 4.0 GHz

PART NUMBER : PD4-1-4-30



ELECTRICAL SPECIFICATIONS	
Freq Range [GHz min]:	1.0
Freq Range [GHz max]:	4.0
Isolation [dB min.]:	18
VSWR Input [max.]:	1.35:1
VSWR Output [max.]:	1.25:1
Insertion Loss[dB max.]:	0.6
Amplitude bal [+dB max]:	0.3
Phase Bal [+° max]:	6.0
Average power [1.2:1]:	30@1.2:1
Average power [2.0:1]:	20@2:1
Average power [30.0:1]:	3@∞



*This Drawing contains patentable and proprietary information. The design cannot be used without written permission of AMD-GROUP
 AMD-GROUP SARL, Rue des Plantes, 37310 COURCAY (FRANCE), Phone : + 33 (0)8 72 74 80 59, Fax:+33 (0) 2.47.94.14.21, www.amd-group.fr*

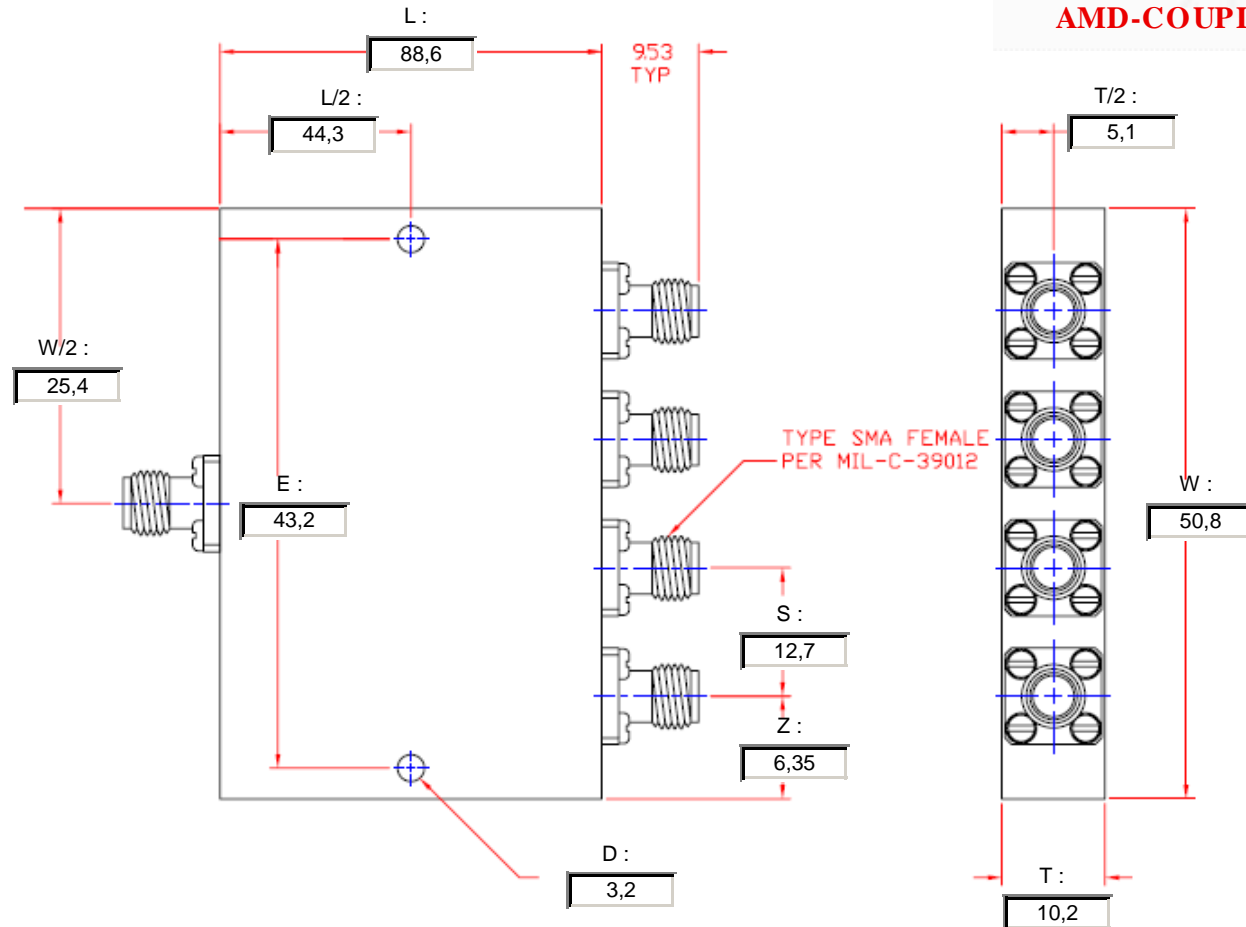
TECHNICAL SPECIFICATION

FOUR WAYS POWER DIVIDER : 2.0 - 8.0 GHz

PART NUMBER : PD4-2-8-30



ELECTRICAL SPECIFICATIONS	
Freq Range [GHz min]:	2.0
Freq Range [GHz max]:	8.0
Isolation [dB min.]:	18
VSWR Input [max.]:	1.45:1
VSWR Output [max.]:	1.35:1
Insertion Loss[dB max.]:	0.9
Amplitude bal [+dB max]:	0.4
Phase Bal [+° max]:	6.0
Average power [1.2:1]:	30@1.2:1
Average power [2.0:1]:	20@2:1
Average power [30.0:1]:	3@∞



This Drawing contains patentable and proprietary information. The design cannot be used without written permission of AMD-GROUP
 AMD-GROUP SARL, Rue des Plantes, 37310 COURCAY (FRANCE), Phone : + 33 (0)8 72 74 80 59, Fax:+33 (0) 2.47.94.14.21, www.amd-group.fr

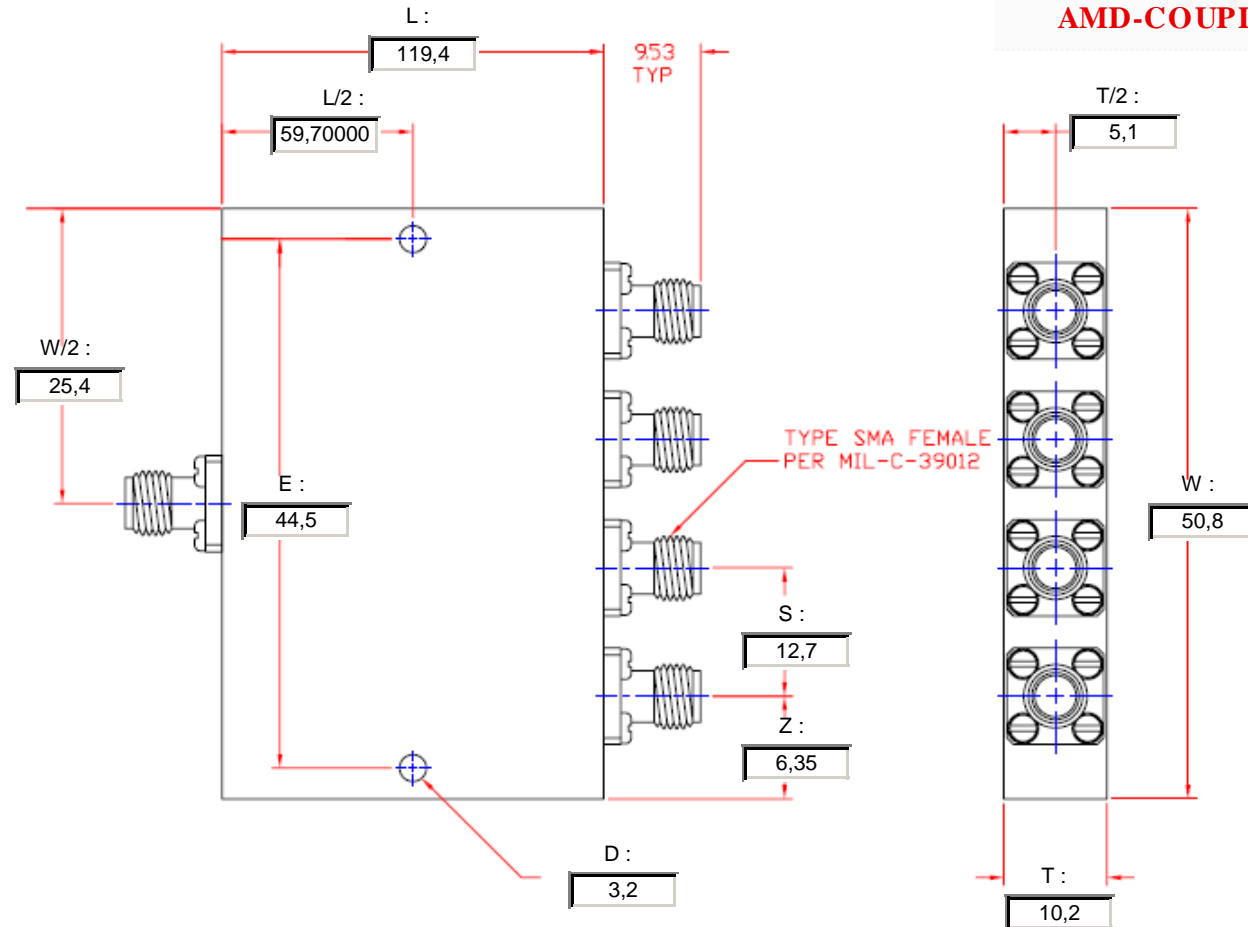
TECHNICAL SPECIFICATION

FOUR WAYS POWER DIVIDER : 2.0 - 12.0 GHz

PART NUMBER : PD4-2-12-20



ELECTRICAL SPECIFICATIONS	
Freq Range [GHz min]:	2.0
Freq Range [GHz max]:	12.0
Isolation [dB min.]:	17
VSWR Input [max.]:	1.50:1
VSWR Output [max.]:	1.50:1
Insertion Loss[dB max.]:	1.9
Amplitude bal [+dB max]:	0.4
Phase Bal [+° max]:	5.0
Average power [1.2:1]:	20@1.2:1
Average power [2.0:1]:	20@2:1
Average power [30.0:1]:	3@∞



This Drawing contains paterntable and propriatary information. The design cannot be used without written permission of AMD-GROUP
 AMD-GROUP SARL, Rue des Plantes, 37310 COURCAY (FRANCE), Phone : + 33 (0)8 72 74 80 59, Fax:+33 (0) 2.47.94.14.21, www.amd-group.fr

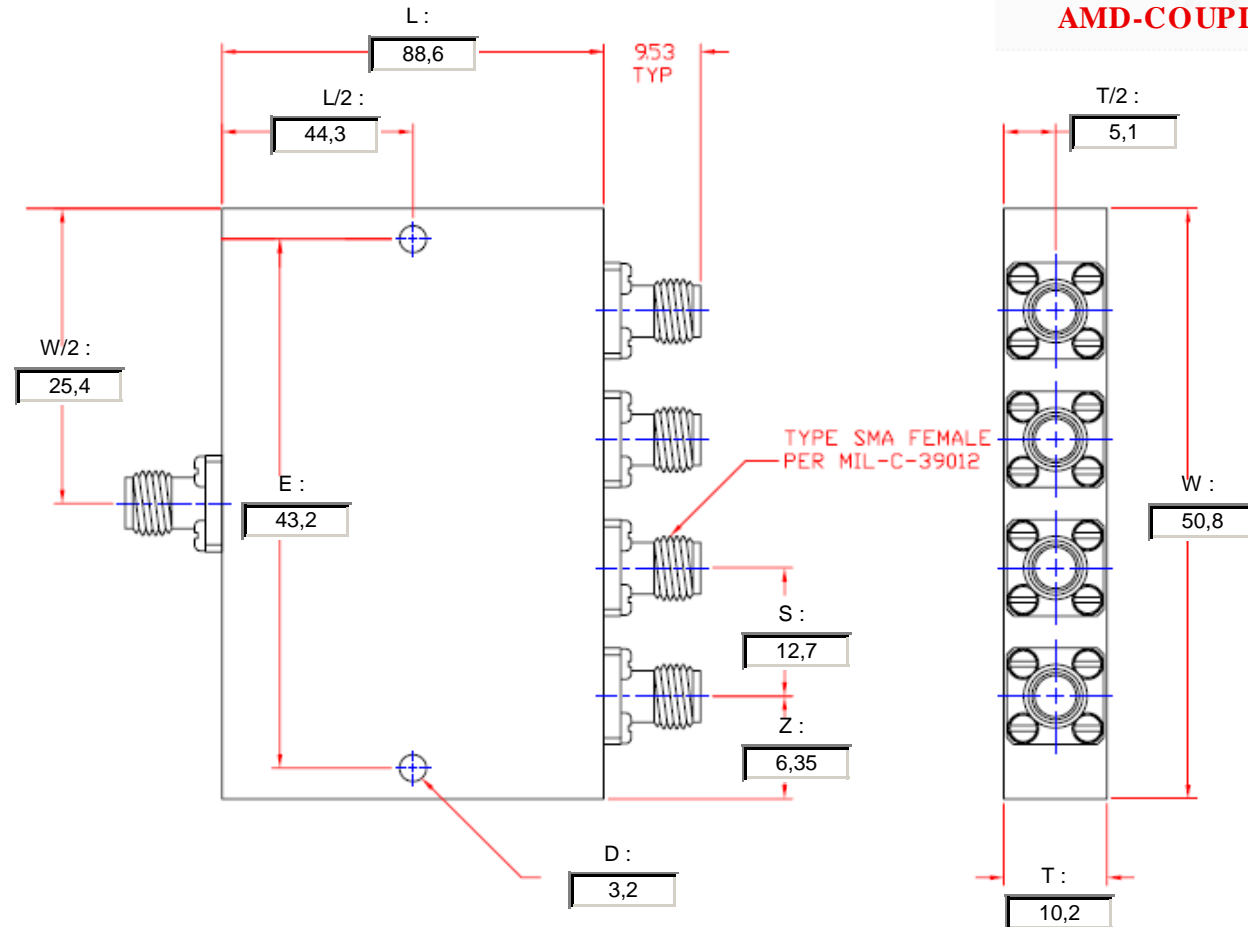
TECHNICAL SPECIFICATION

FOUR WAYS POWER DIVIDER : 1.0 - 8.0 GHz

PART NUMBER : PD4-1-8-10



ELECTRICAL SPECIFICATIONS	
Freq Range [GHz min]:	1.0
Freq Range [GHz max]:	8.0
Isolation [dB min.]:	17
VSWR Input [max.]:	1.50:1
VSWR Output [max.]:	1.40:1
Insertion Loss[dB max.]:	2.4
Amplitude bal [+dB max]:	±0.35
Phase Bal [+° max]:	6.0
Average power [1.2:1]:	10@1.2:1
Average power [2.0:1]:	20@2:1
Average power [30.0:1]:	3@∞



This Drawing contains patentable and proprietary information. The design cannot be used without written permission of AMD-GROUP
 AMD-GROUP SARL, Rue des Plantes, 37310 COURCAY (FRANCE), Phone : + 33 (0)8 72 74 80 59, Fax:+33 (0) 2.47.94.14.21, www.amd-group.fr

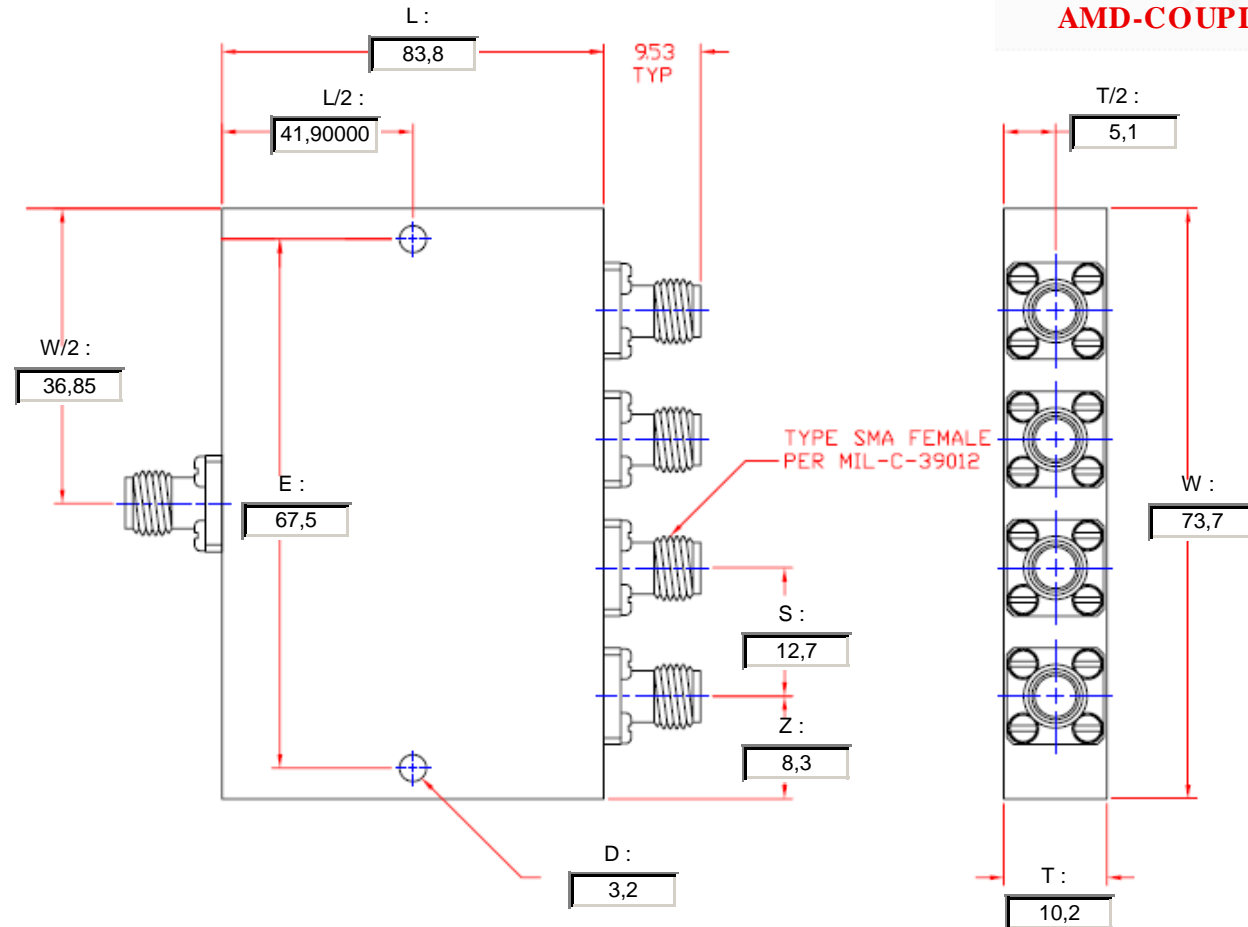
TECHNICAL SPECIFICATION

FOUR WAYS POWER DIVIDER : 0.4 - 2.7 GHz

PART NUMBER : PD4-0.4-2.7-20



ELECTRICAL SPECIFICATIONS	
Freq Range [GHz min]:	0.4
Freq Range [GHz max]:	2.7
Isolation [dB min.]:	17
VSWR Input [max.]:	1.50:1
VSWR Output [max.]:	1.40:1
Insertion Loss[dB max.]:	2.3
Amplitude bal [+dB max]:	0.3
Phase Bal [+° max]:	5.0
Average power [1.2:1]:	20@1.2:1
Average power [2.0:1]:	20@2:1
Average power [30.0:1]:	3@∞



*This Drawing contains paterntable and propriatary information. The design cannot be used without written permission of AMD-GROUP
 AMD-GROUP SARL, Rue des Plantes, 37310 COURCAY (FRANCE), Phone : + 33 (0)8 72 74 80 59, Fax:+33 (0) 2.47.94.14.21, www.amd-group.fr*

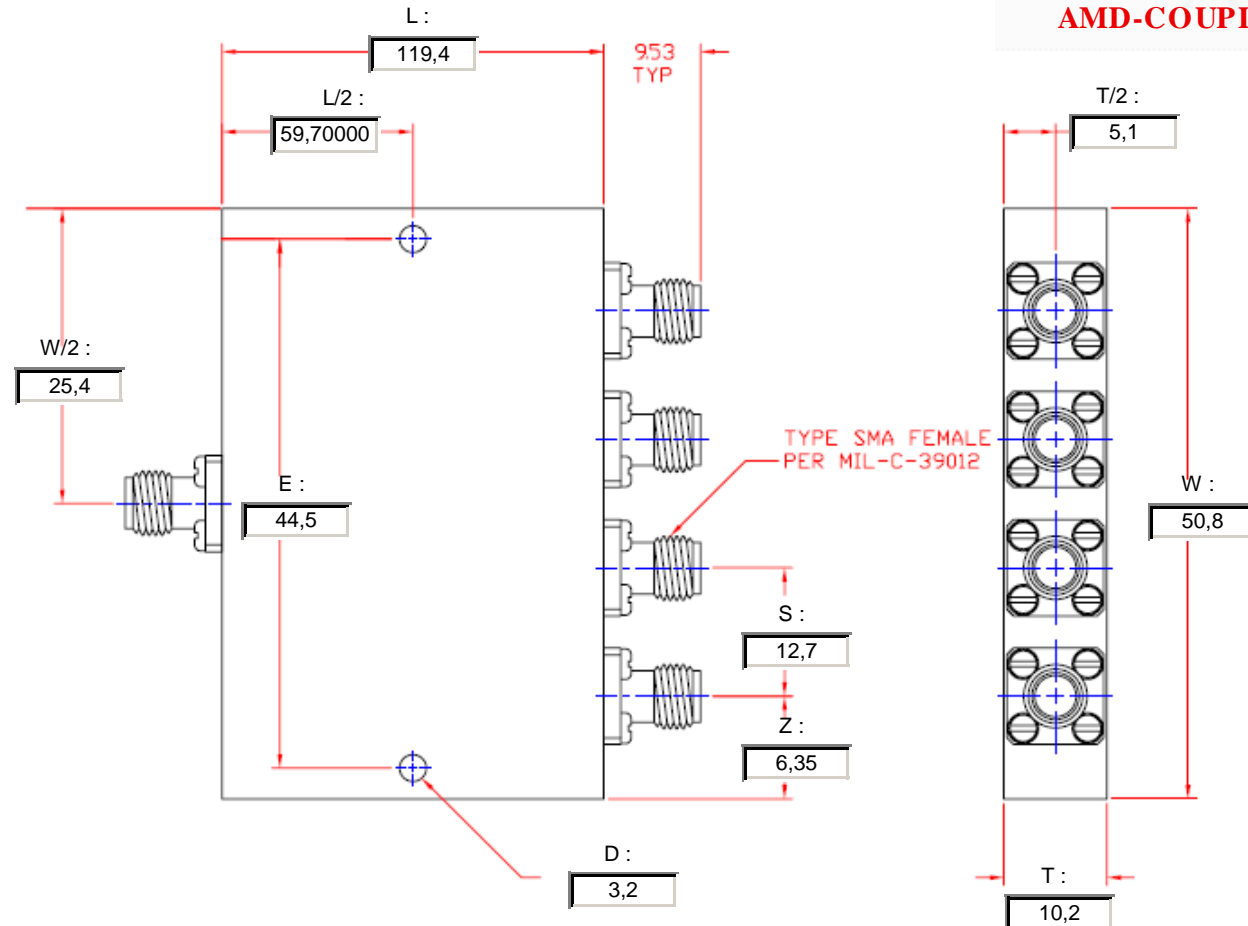
TECHNICAL SPECIFICATION

FOUR WAYS POWER DIVIDER : 2.0 - 18.0 GHz

PART NUMBER : PD4-2-18-30



ELECTRICAL SPECIFICATIONS	
Freq Range [GHz min]:	2.0
Freq Range [GHz max]:	18.0
Isolation [dB min.]:	18
VSWR Input [max.]:	1.60:1
VSWR Output [max.]:	1.45:1
Insertion Loss[dB max.]:	2.5
Amplitude bal [+dB max]:	0.8
Phase Bal [+° max]:	10.0
Average power [1.2:1]:	30@1.2:1
Average power [2.0:1]:	20@2:1
Average power [30.0:1]:	3@∞



*This Drawing contains paterntable and propriatary information. The design cannot be used without written permission of AMD-GROUP
 AMD-GROUP SARL, Rue des Plantes, 37310 COURCAY (FRANCE), Phone : + 33 (0)8 72 74 80 59, Fax:+33 (0) 2.47.94.14.21, www.amd-group.fr*

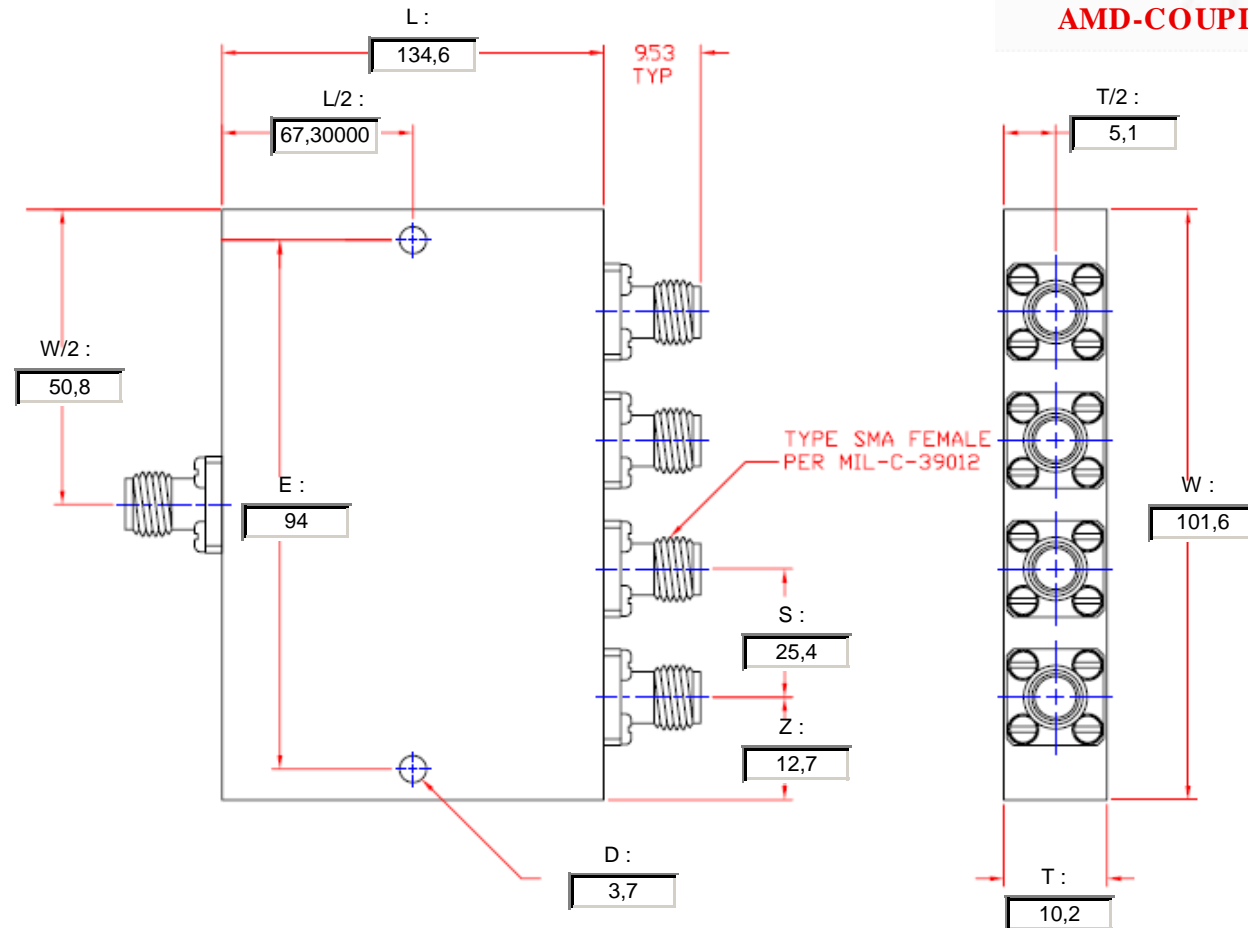
TECHNICAL SPECIFICATION

FOUR WAYS POWER DIVIDER : 0.3 - 3.0 GHz

PART NUMBER : PD4-0.3-3-10



ELECTRICAL SPECIFICATIONS	
Freq Range [GHz min]:	0.3
Freq Range [GHz max]:	3.0
Isolation [dB min.]:	19
VSWR Input [max.]:	1.40:1
VSWR Output [max.]:	1.40:1
Insertion Loss[dB max.]:	1.5
Amplitude bal [+dB max]:	0.5
Phase Bal [+° max]:	10.0
Average power [1.2:1]:	10@1.2:1
Average power [2.0:1]:	20@2:1
Average power [30.0:1]:	3@∞



This Drawing contains patentable and proprietary information. The design cannot be used without written permission of AMD-GROUP
 AMD-GROUP SARL, Rue des Plantes, 37310 COURCAY (FRANCE), Phone : + 33 (0)8 72 74 80 59, Fax:+33 (0) 2.47.94.14.21, www.amd-group.fr

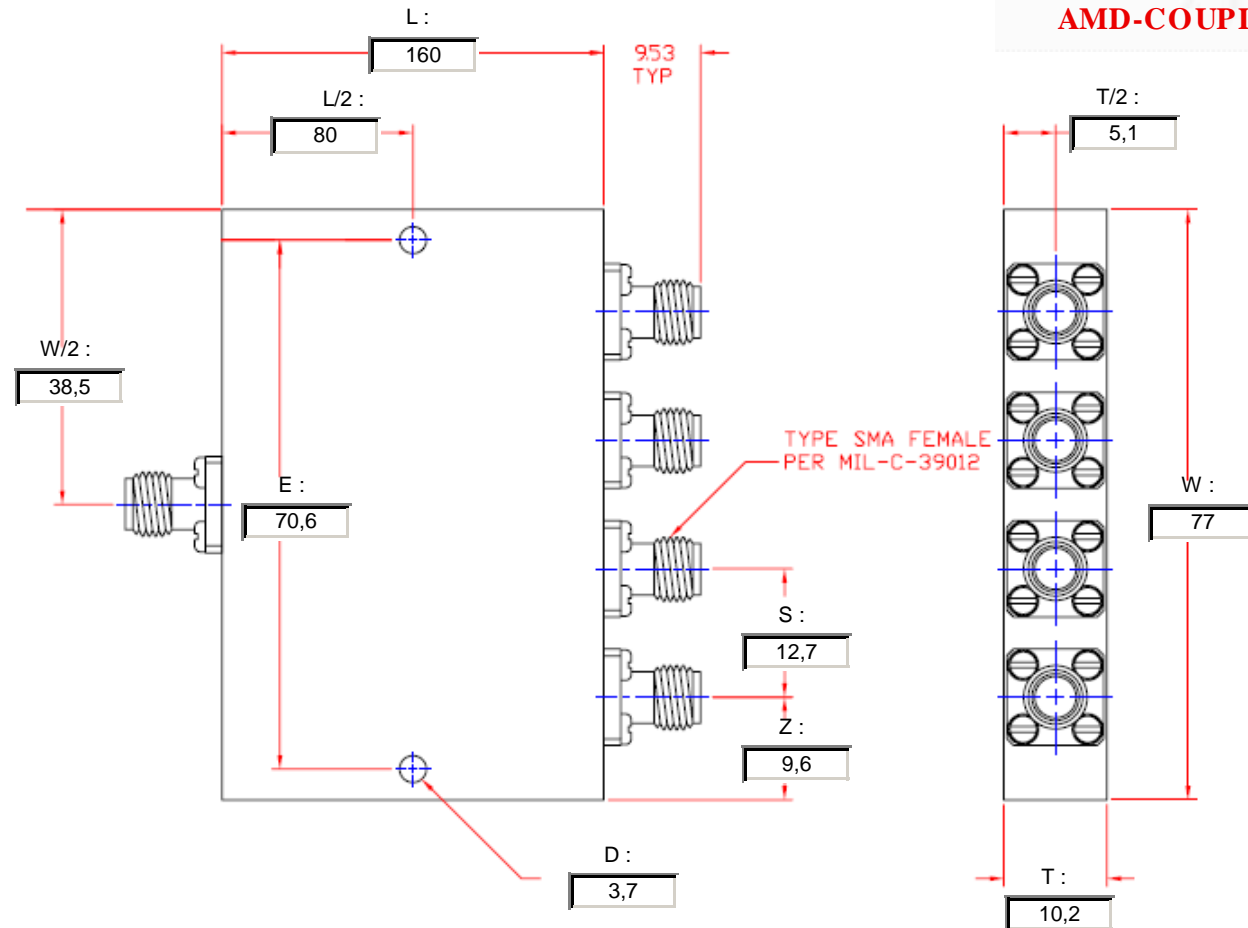
TECHNICAL SPECIFICATION

FOUR WAYS POWER DIVIDER : 0.5 - 6.0 GHz

PART NUMBER : PD4-0.5-6-10



ELECTRICAL SPECIFICATIONS	
Freq Range [GHz min]:	0.5
Freq Range [GHz max]:	6.0
Isolation [dB min.]:	19
VSWR Input [max.]:	1.40:1
VSWR Output [max.]:	1.40:1
Insertion Loss[dB max.]:	1.5
Amplitude bal [+dB max]:	0.5
Phase Bal [+° max]:	10.0
Average power [1.2:1]:	10@1.2:1
Average power [2.0:1]:	20@2:1
Average power [30.0:1]:	3@∞



This Drawing contains patentable and proprietary information. The design cannot be used without written permission of AMD-GROUP
 AMD-GROUP SARL, Rue des Plantes, 37310 COURCAY (FRANCE), Phone : + 33 (0)8 72 74 80 59, Fax:+33 (0) 2.47.94.14.21, www.amd-group.fr

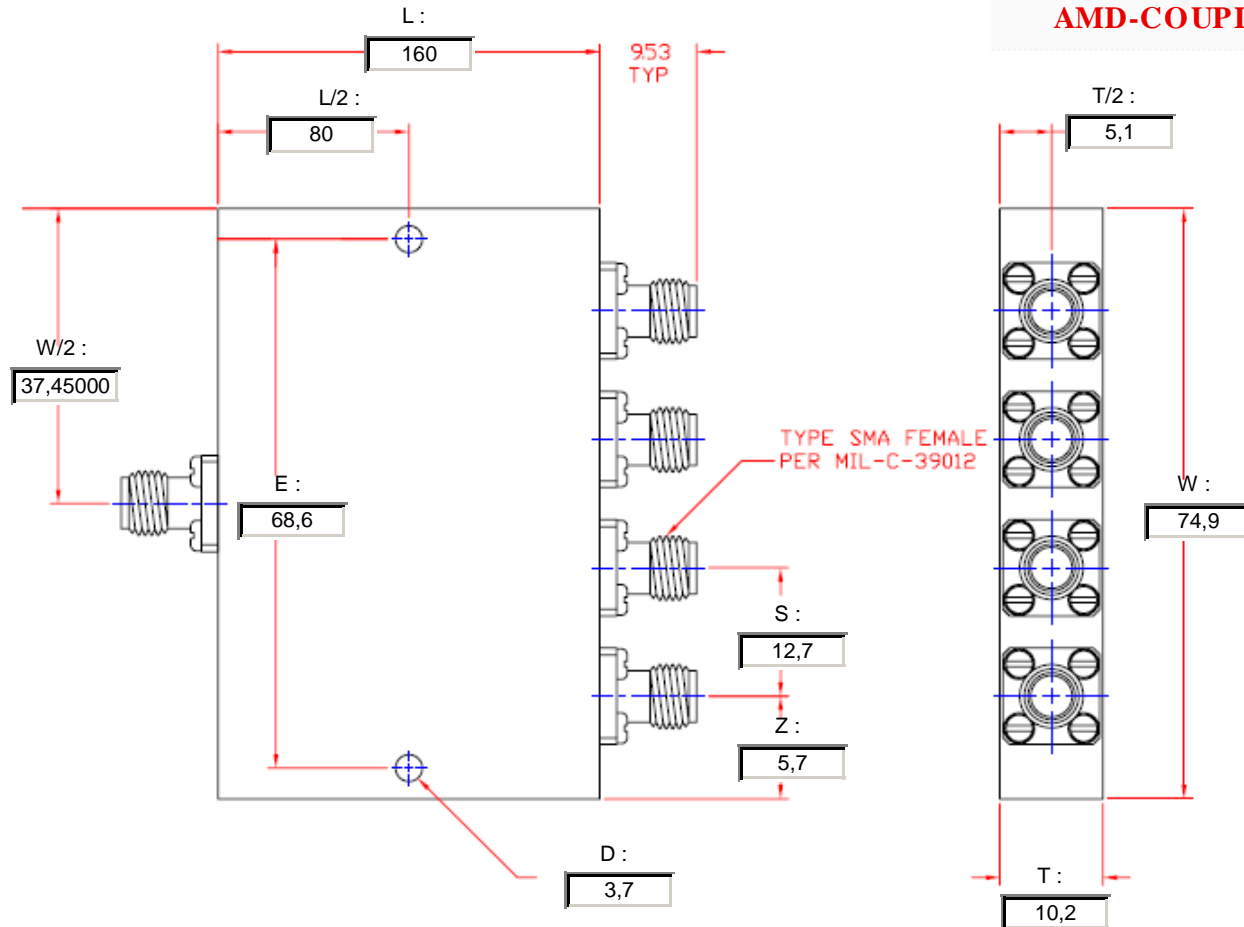
TECHNICAL SPECIFICATION

FOUR WAYS POWER DIVIDER : 0.5 - 18.0 GHz

PART NUMBER : PD4-0.5-18-10



ELECTRICAL SPECIFICATIONS	
Freq Range [GHz min]:	0.5
Freq Range [GHz max]:	18.0
Isolation [dB min.]:	18
VSWR Input [max.]:	1.70:1
VSWR Output [max.]:	1.50:1
Insertion Loss[dB max.]:	6.5
Amplitude bal [+dB max]:	1.4
Phase Bal [+° max]:	18.0
Average power [1.2:1]:	10@1.2:1
Average power [2.0:1]:	20@2:1
Average power [30.0:1]:	3@∞



This Drawing contains patentable and proprietary information. The design cannot be used without written permission of AMD-GROUP
 AMD-GROUP SARL, Rue des Plantes, 37310 COURCAY (FRANCE), Phone : + 33 (0)8 72 74 80 59, Fax:+33 (0) 2.47.94.14.21, www.amd-group.fr