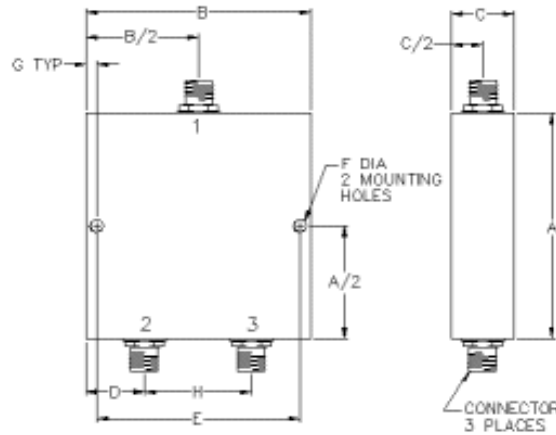
	Réf.: PD2-7-12.4-30	Page : 1/2
	<b>Spécifications techniques</b> <b>Technical specifications</b>	Ind.: 0
		Date :18-05-2010

## 2 Ways power divider 7GHz-12.4GHz, 30W, SMAf

Caractéristiques électriques <i>Electrical specifications</i>	Conditions de mesures <i>Measurement conditions</i>	Spécifications <i>Specifications</i>			
		Min.	Typ.	Max.	Unités <i>Units</i>
Frequency range	-20 / +55 °C	7		12.4	GHz
Insertion loss	7-12.4GHz		0.3	0.7	dB
Isolation	7-12.4GHz	16			dB
Amplitude balance	7-12.4GHz		±0.15	±0.6	dB
Phase balance	7-12.4GHz		±1	±8	°
VSWR	7-12.4GHz Input		1.70 :1	1.70 :1	-
VSWR	7-12.4GHz Output		1.70 :1	1.70 :1	-
Power rating *	7-12.4GHz Input		10	30	W
Caractéristiques mécaniques <i>Mechanical features</i>	Conditions de mesures <i>Measurement conditions</i>	Spécifications <i>Specifications</i>			
Longueur x largeur x Hauteur <i>Length x width x height</i>	L x W x H ±0.1 mm	20.3 x 26.4 x 10.2 Outline number PD2-8			mm
Matière / finition <i>Material / finish</i>	RoHs compliant	Aluminium / Suretec Black painted			-
Connectique <i>Connectors</i>	-	3 x SMA f			-
Conditions environnementales <i>Environmental conditions</i>	Conditions de mesures <i>Measurement conditions</i>	Spécifications / <i>Specifications</i>			Unités <i>Units</i>
		Min.	Typ.	Max.	
Température de service <i>Operating temperature</i>		-20		+55	°C
Température de stockage <i>Storage temperature</i>		-45		+85	°C

- For load VSWR better than 1.20:1.

Ind.	Par	Le	Observation
0	Allamando	04/05/2007	Création
1	Covasso	15/05/2010	Electrical features



OUTLINE	CONN	A		B		C		D		E		F		G		H	
		Inch.	mm.	Inch	mm.	Inch	mm.	Inch	mm.	Inch	mm.	Inch.	mm.	Inch.	mm.	Inch	mm.
PD2-1	SMA	2.10	53.3	2.10	53.3	0.50	12.7	0.55	14	1.90	48.3	0.125	3.2	0.100	2.5	1.00	25.4
PD2-2	SMA	2.00	50.8	1.50	38.1	0.50	12.7	0.48	12.2	1.25	31.8	0.125	3.2	0.125	3.2	0.55	14
PD2-3	SMA	2.48	63.0	2.00	50.8	0.50	12.7	0.35	8.90	1.70	43.2	0.125	3.2	0.125	3.2	1	25.4
PD2-4	SMA	1.25	31.8	1.50	28.1	0.50	12.7	0.48	12.2	1.30	33	0.125	3.2	0.100	2.5	0.55	14
PD2-6	SMA	1.60	40.6	1.25	31.8	0.40	10.2	0.38	9.7	1.05	26.7	0.104	2.6	0.100	2.5	0.50	12.7
PD2-8	SMA	0.80	20.3	1.04	26.4	0.40	10.2	0.27	6.9	0.80	20.3	0.125	3.2	0.120	3.1	0.50	12.7
PD2-9	SMA	1.80	45.7	1.05	26.7	0.40	10.2	0.25	6.4	0.90	22.9	0.100	2.5	0.075	1.9	0.50	12.7
PD2-10	SMA	5.90	149.9	1.00	25.4	0.40	10.2	0.25	6.4	0.80	20.3	0.125	3.2	0.100	2.5	0.50	12.7

Ind.	Par	Le	Observation
0	Allamando	04/05/2007	Création
1	Covasso	15/05/2010	Electrical features