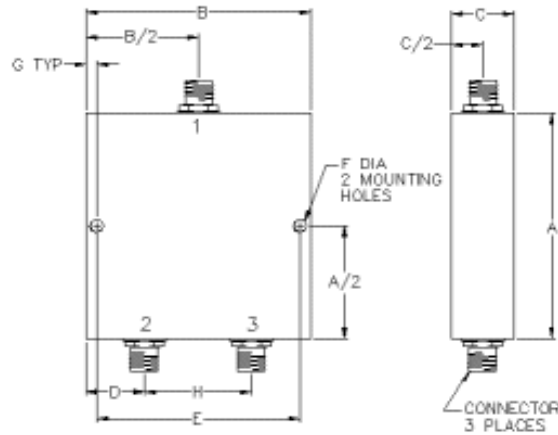


2 Ways power divider 1GHz-2 GHz, 30W, SMAf

Caractéristiques électriques <i>Electrical specifications</i>	Conditions de mesures <i>Measurement conditions</i>	Spécifications <i>Specifications</i>			
		Min.	Typ.	Max.	Unités <i>Units</i>
Frequency range	-20 / +55 °C	1		2	GHz
Insertion loss	1-2GHz		0.3	0.5	dB
Isolation	1-2GHz	18	20		dB
Amplitude balance	1-2GHz		±0.15	±0.2	dB
Phase balance	1-2GHz		±1	±1.5	°
VSWR	1-2GHz Input		1.30 :1	1.35 :1	-
VSWR	1-2GHz Output		1.20 :1	1.30 :1	-
Power rating *	1-2GHz Input		10	30	W
Caractéristiques mécaniques <i>Mechanical features</i>					
Conditions	Conditions de mesures <i>Measurement conditions</i>	Spécifications <i>Specifications</i>			Unités <i>Units</i>
Longueur x largeur x Hauteur <i>Length x width x height</i>	L x W x H ±0.1 mm	50.8 x 31.8 x 12.7 Outline PD2-2-N			mm
Matière / finition <i>Material / finish</i>	RoHs compliant	Aluminium / Suretec			-
Connectique <i>Connectors</i>	-	3 x SMA f			-
Conditions environnementales <i>Environmental conditions</i>					
Conditions	Conditions de mesures <i>Measurement conditions</i>	Spécifications / Specifications			Unités <i>Units</i>
Température de service <i>Operating temperature</i>		Min.	Typ.	Max.	
Température de stockage <i>Storage temperature</i>		-20		+55	°C
		-45		+85	°C

- For load VSWR better than 1.20:1.

Ind.	Par	Le	Observation
0	Allamando	02/05/2009	Création



OUTLINE	CON N	A		B		C		D		E		F		G		H	
		Inch.	mm.	Inch	mm.	Inch	mm.	Inch	mm.	Inch	mm.	Inch.	mm.	Inch.	mm.	Inch	mm.
PD2-1	SMA	2.10	53.3	2.10	53.3	0.50	12.7	0.55	14	1.90	48.3	0.125	3.2	0.100	2.5	1.00	25.4
PD2-2	SMA	2.00	50.8	1.50	38.1	0.50	12.7	0.48	12.2	1.25	31.8	0.125	3.2	0.125	3.2	0.55	14
PD2-2-N	SMA	1.25	31.8	2.00	50.8	0.50	12.7	0.50	12.7	1.75	44.4	0.125	3.2	0.125	3.2	1.00	25.4
PD2-3	SMA	2.48	63.0	2.00	50.8	0.50	12.7	0.35	8.90	1.70	43.2	0.125	3.2	0.125	3.2	1	25.4
PD2-4	SMA	1.25	31.8	1.50	28.1	0.50	12.7	0.48	12.2	1.30	33	0.125	3.2	0.100	2.5	0.55	14
PD2-6	SMA	1.60	40.6	1.25	31.8	0.40	10.2	0.38	9.7	1.05	26.7	0.104	2.6	0.100	2.5	0.50	12.7
PD2-8	SMA	0.80	20.3	1.04	26.4	0.40	10.2	0.27	6.9	0.80	20.3	0.125	3.2	0.120	3.1	0.50	12.7
PD2-9	SMA	1.80	45.7	1.05	26.7	0.40	10.2	0.25	6.4	0.90	22.9	0.100	2.5	0.075	1.9	0.50	12.7
PD2-10	SMA	5.90	149.9	1.00	25.4	0.40	10.2	0.25	6.4	0.80	20.3	0.125	3.2	0.100	2.5	0.50	12.7

Ind.	Par	Le	Observation
0	Allamando	02/05/2009	Création