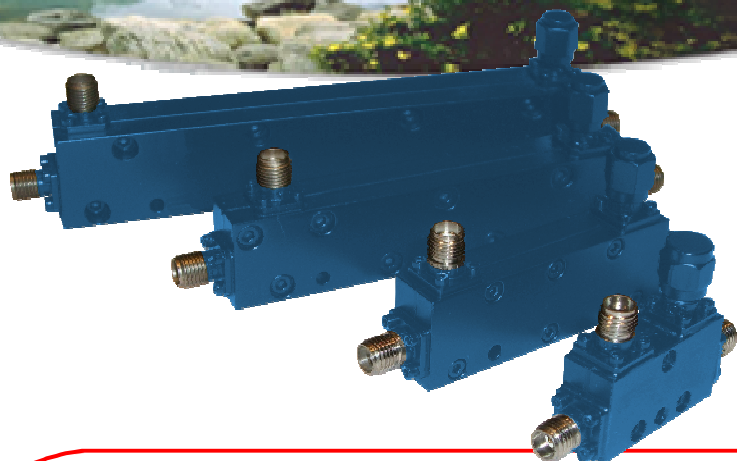


WIDEBAND DIRECTIONAL COUPLERS

20 GHz RANGE



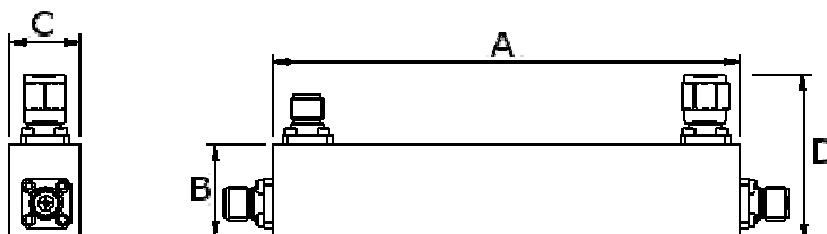
Features :

- Low loss
- High directivity
- Others couplings available
- 20 Watt CW power
- SMA M/F connectors
- Removable load
- Operating from -50°C to $+80^{\circ}\text{C}$

Technical Specifications *(intermediate frequencies performances on individual datasheets)*

Model	CD6-20-10-20 CD6-20-20-20	CD2-20-10-20 CD2-20-20-20	CD1-20-10-20 CD1-20-20-20	CD0.5-20-10-20 CD0.5-20-20-20
Frequency (GHz)	6—20	2—20	1—20	0.5—20
Coupling (dB) Referenced to output	10 ± 0.6 20 ± 1	10 ± 0.8 20 ± 1	10 ± 0.8 20 ± 1	10 ± 1.2 20 ± 1.2
IL (dB) Includes coupling power	1.2 0.8	1 0.7	1.2 0.9	1.5 1.1
Sensitivity (dB)	± 0.5 ± 0.5	± 0.6 ± 0.6	± 0.8 ± 0.8	± 1 ± 1
VSWR main	1.4 1.4	1.4 1.4	1.5 1.5	1.5 1.5
VSWR coupled	1.4 1.4	1.4 1.4	1.5 1.5	1.5 1.5
Directivity (dB)	15 15	15 15	14 14	12 12
Outline	1	2	3	4

General



Type	A	B	C	D
1	40 (1.57)	17.9 (0.70)	13.5 (0.53)	33 (1.3)
2	59.5 (2.34)	17.9 (0.70)	13.5 (0.53)	33 (1.3)
3	89.4 (3.50)	17.9 (0.70)	13.5 (0.53)	33 (1.3)
4	112 (4.40)	19.5 (0.76)	14.5 (0.57)	21 (0.83)

Units : mm (in.)

Complete drawing including all dimensions and fixation points available on individual datasheet



Made In France

10 rue des plantes 37310 Courçay (FRANCE)
Phone : +33 9 51 22 82 79 - Fax : +33 2 47 38 32 54
sales@amd.group.fr - www.amd-group.fr