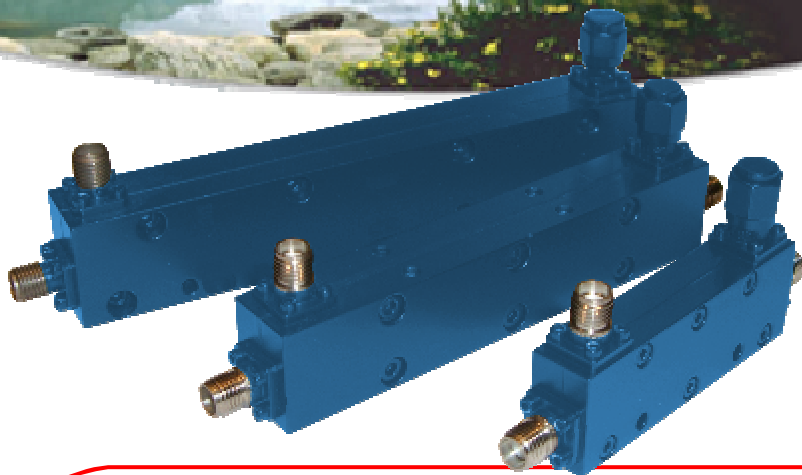


WIDEBAND DIRECTIONAL COUPLERS

13 GHz RANGE



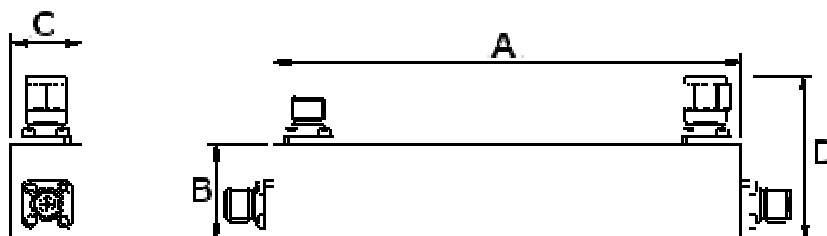
Features :

- Low loss
- High directivity
- Others couplings available
- 20 Watt CW power
- SMA M/F connectors
- Removable load
- Operating from -50°C to $+80^{\circ}\text{C}$

Technical Specifications *(intermediate frequencies performances on individual datasheets)*

Model	CD2-13-10-20 CD2-13-20-20	CD1-13-10-20 CD1-13-20-20	CD0.5-13-10-20 CD0.5-13-20-20
Frequency (GHz)	2—13	1—13	0.5—13
Coupling (dB) Referenced to output	10 ± 0.8 20 ± 1	10 ± 0.8 20 ± 1	10 ± 1 20 ± 1.2
IL (dB) Includes coupling power	0.8 0.4	1 0.6	1.4 1
Sensitivity (dB)	± 0.5 ± 0.5	± 0.5 ± 0.5	± 1 ± 1
VSWR main	1.3 1.3	1.4 1.4	1.4 1.4
VSWR coupled	1.3 1.3	1.4 1.4	1.4 1.4
Directivity (dB)	16 16	15 15	15 15
Outline	1	2	3

General



Type	A	B	C	D
1	59.5 (2.34)	17.9 (0.70)	13.5 (0.53)	33 (1.3)
2	89.4 (3.50)	17.9 (0.70)	13.5 (0.53)	33 (1.3)
3	112 (4.40)	19.5 (0.76)	14.5 (0.57)	21 (0.83)

Units : mm (in.)

Complete drawing including all dimensions and fixation points available on individual datasheet